



# VM MOTORI S.p.A.

## A DaimlerChrysler Company

### D 703 E2 - 35 kW ( 48 CV )

### Industrial Power

#### CARATTERISTICHE TECNICHE

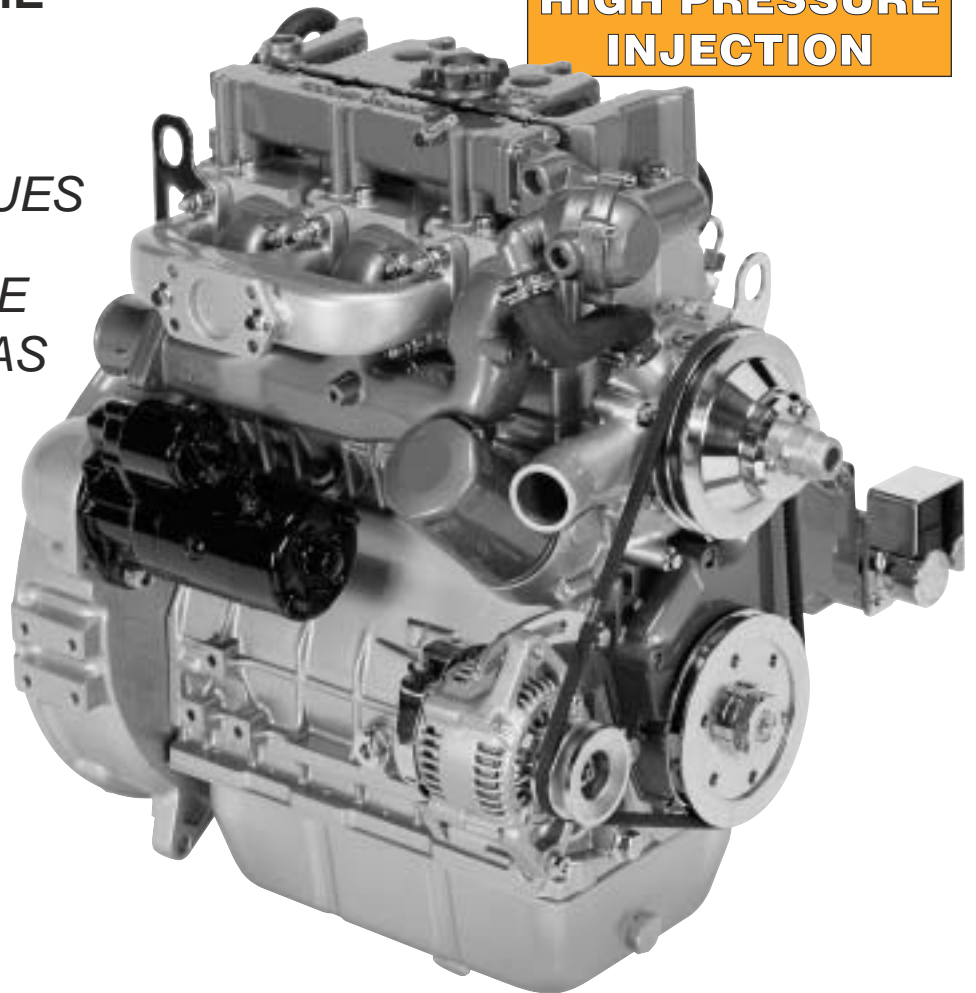
TECHNICAL FEATURES

CARACTERISTIQUES TECHNIQUES

HAUPTMERKMALE

CARACTERISTICAS TECNICAS

**HIGH PRESSURE INJECTION**



**Motore diesel 4 tempi**  
**Iniezione Diretta**  
**Raffreddato ad acqua**  
**Aspirazione naturale**

*4 stroke diesel engine*  
*Direct injection*  
*Water cooled*  
*Naturally Aspirated*

*Moteur Diesel - 4 temps*  
*Injection directe*  
*Refroidissement à eau*  
*Aspiration naturelle*

*Dieselmotor - 4 takt*  
*Direkte Einspritzung*  
*Wasserkühlung*  
*Sangversion*

*Motor Diesel - 4 tiempos*  
*Inyeccion directa*  
*Refrigeracion por agua*  
*Aspiracion natural*

Dati Motore	Engine Data	Données Moteur	Motor Daten	Datos Motor	
Numero dei cilindri	Cylinder	Cylindres	Zylinder	Cilindros	<b>3</b>
Alesaggio x Corsa	Bore x Stroke	Alesage x course	Bohrung x Hub	Diametro x carrera	<b>94 x 100 mm</b>
Cilindrata	Displacement	Cylindrée	Gesamthubraum	Cilindrada	<b>2,1 l</b>
Peso a secco	Dry Weight	Poids à sec	Trockengewicht	Peso en seco	<b>190 kg</b>
Potenza massima	Max Power	Puissance maximum	Hochstleistung	Potencia maxima	<b>35 kW (48 CV)</b>
Coppia massima	Max Torque	Couple max	Max Drehmoment	Par maximo	<b>145 Nm (14,7 Kgm)</b>
Emissioni	Emissions	Emissions	Emission	Emisiones	<b>EPA - 97 / 68 / EC</b>

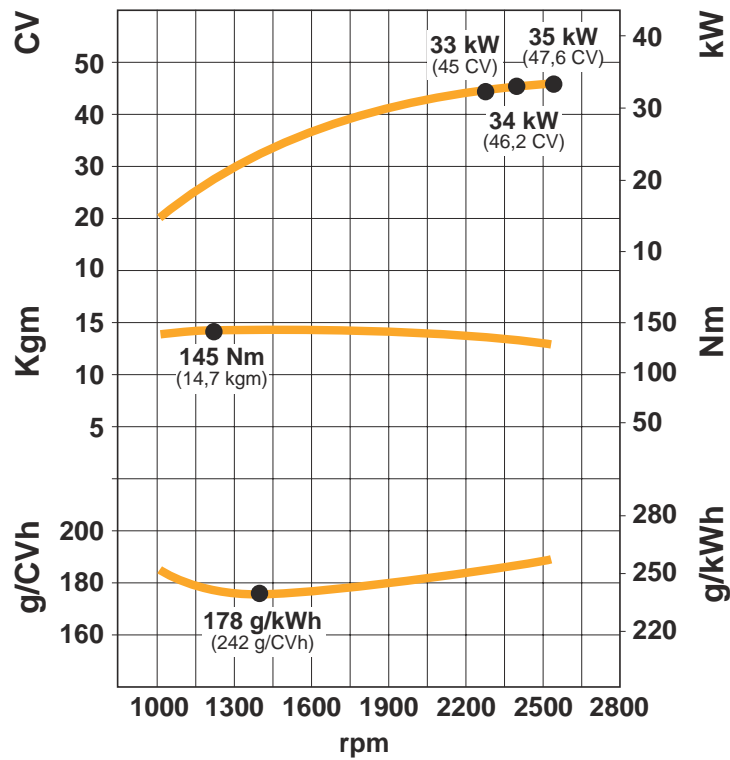
Allestimento standard	Standard equipment	Equipement standard	Standardausruestung	Equipo standard
Campana SAE 4	Flywheel housing SAE 4	Carter volant SAE 4	Schwungradgehäuse SAE 4	Carcasa volante SAE 4
Volano 8" - 10"	Flywheel 8" - 10"	Volant 8" - 10"	Schwungrad 8" - 10"	Volante 8" - 10"
Impianto elettrico 12V	12 V electric system	Système électrique 12V	Electrosystem 12V	Sistema eléctrico 12V
Candlette di preriscaldamento	Preheating glow plugs	Bougies de prechauffage	Gluehkerzen	Bujias

La foto illustra un tipico motore industriale  
Photograph shows an example of a typical industrial engine

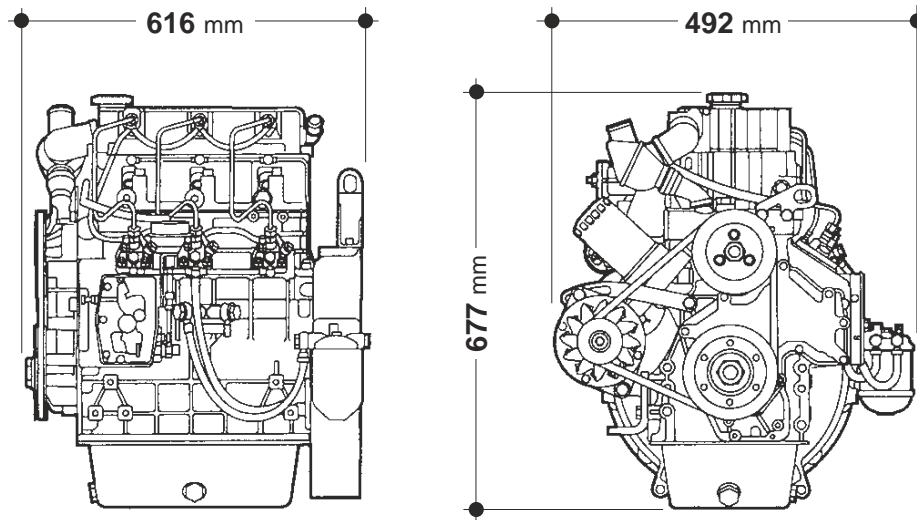
**Curve Caratteristiche**  
**Performance Curve**  
**Courbes Caracteristiques**  
**Kennlinien**  
**Curvas Caracteristicas**

**Potenza Intermittente**  
**Intermittent Power**  
**Puissance Intermittente**  
**Kurzzeitleistung**  
**Potencia Intermitente**  
**ISO 3046 /1**  
**DIN 6271-EEC 80/1269**

# D 703 E2



## Dimensioni - Dimensions - Dimensions - Masse - Dimensiones



**VM** **MOTORI** S.p.A.  
**A DaimlerChrysler Company**

44042 CENTO (Ferrara) / Italy / Via Ferrarese, 29  
 Telephone: +39-051-6837 511  
 Telefax: +39-051-6837 517



Azienda con il sistema di qualità certificato per la costruzione di motori diesel

Company with the Quality System Certified for diesel engine manufacturing

VM is registered trademark of VM MOTORI.

As technical advancements continue, specification may change. Printed in Italy - VM MOTORI Advertising Department - Cod. 4 250 2703 F - M2 - 11.'01

VM MOTORI preferisce-prefers M@bil