

Reliability in Action

WHEEL LOADER  
**LG918**



 **TRANSDIESEL**<sup>LTD</sup>

0800 848 267 - [www.transdiesel.com](http://www.transdiesel.com)

**SDLG**





# LG918 Wheel Loader

## LG918L Features

- Yuchai YC4D80-T20 engine
- 2 Speed Transmission
- Air over hydraulic disk brakes
- A/C cabin with pillarless wrap around windscreen
- Single lever hydraulic pilot control
- Hydraulic Quick Hitch
- Full powered 3<sup>rd</sup> function hydraulics
- Bucket capacity 1.0m<sup>3</sup> > 2.5m<sup>3</sup>
- 2 year/2000 hour warranty (conditions apply)
- ROPS/FOPS cabin ISO EN 13510, ISO EN 13627

## Optional Attachments

- Auto weighing system
- Auto grease system
- Boom suspension
- Air suspension seat
- Large range of attachments available

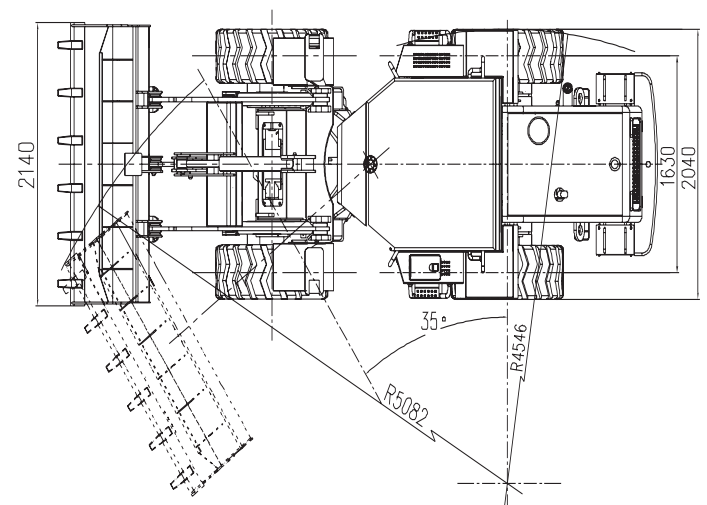
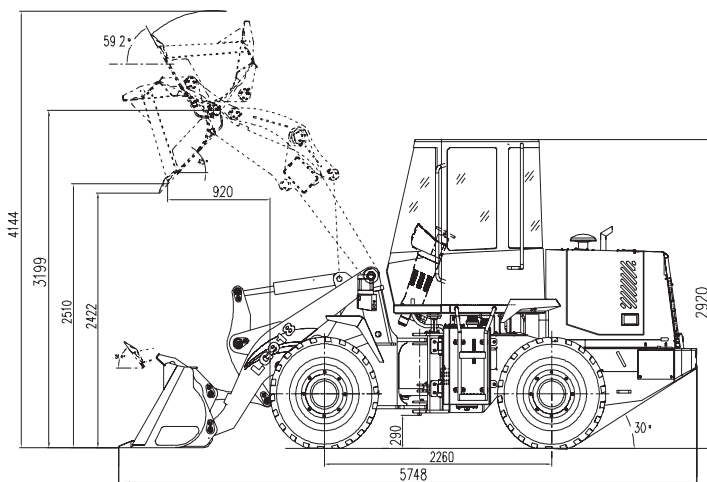
## Specifications

<b>Engine Power</b>	58kW/77hp	<b>Lift Capacity (Rated Load)</b>	1,800kg
<b>Max. Traction Force</b>	5,710kgf	<b>Static Tipping Load at full turn</b>	3600kg
<b>Operating Weight</b>	6,200kg	<b>Min Turning Radius Outside Rear Wheel</b>	4,546mm
<b>Standard Bucket Capacity</b>	1.0m <sup>3</sup>	<b>Min. Turning Radius Outside Bucket</b>	5,082mm
		<b>Max Breakout force</b>	5,914kgf

## Dimensions

<b>Length (Bucket on ground)</b>	5,798mm	<b>Width outside tyres</b>	2,040mm
<b>Height</b>	2,920mm	<b>Wheel Centres</b>	1,630mm
<b>Max. Dump Height (-45° angle)</b>	2,510mm	<b>Front wheel to bucket edge</b>	920mm
<b>Bucket Width</b>	2,140mm	<b>Wheel Base</b>	2,260mm

## Dimensions LG918L



## Steering System

Type	Full-hydraulic load sensing articulated steering
Steering pump	Gear driven
Steering Cylinder Cylinder bore x piston rod diameter x stroke	63 x 35 x 290mm
Steering Orbital	Eaton BZZ-320
Steering Angle	35°
Working Pressure	2030 Psi

## Engine

Model	Yuchai YC4D80-T0
Type	Watercooled, 4 stroke, 4 cylinders in line, direct injection
Rated Power	58kW/77hp
Rated RPM	2400rpm
Displacement	4.2L
Cylinders	4
Cylinder Bore Stroke	108/120mm
Min Fuel Consumption	5.5L/hr
Max. Torque	270Nm

## Hydraulics

Type	Single lever hydraulic pilot control
Boom Cylinder Cylinder bore x piston rod diameter x stroke	80 x 45 x 695mm
Bucket Cylinder Cylinder bore x piston rod diameter x stroke	100 x 55 x 404mm
Pump	Gear driven
Working pressure	2538 Psi /17.5MPa/175bar
Lifting time (Max Load)	≤4.8s
Lowering time (Empty)	≤3.2s
Dumping time (Empty)	≤1.1s
Total	≤9.1s

## Transmission

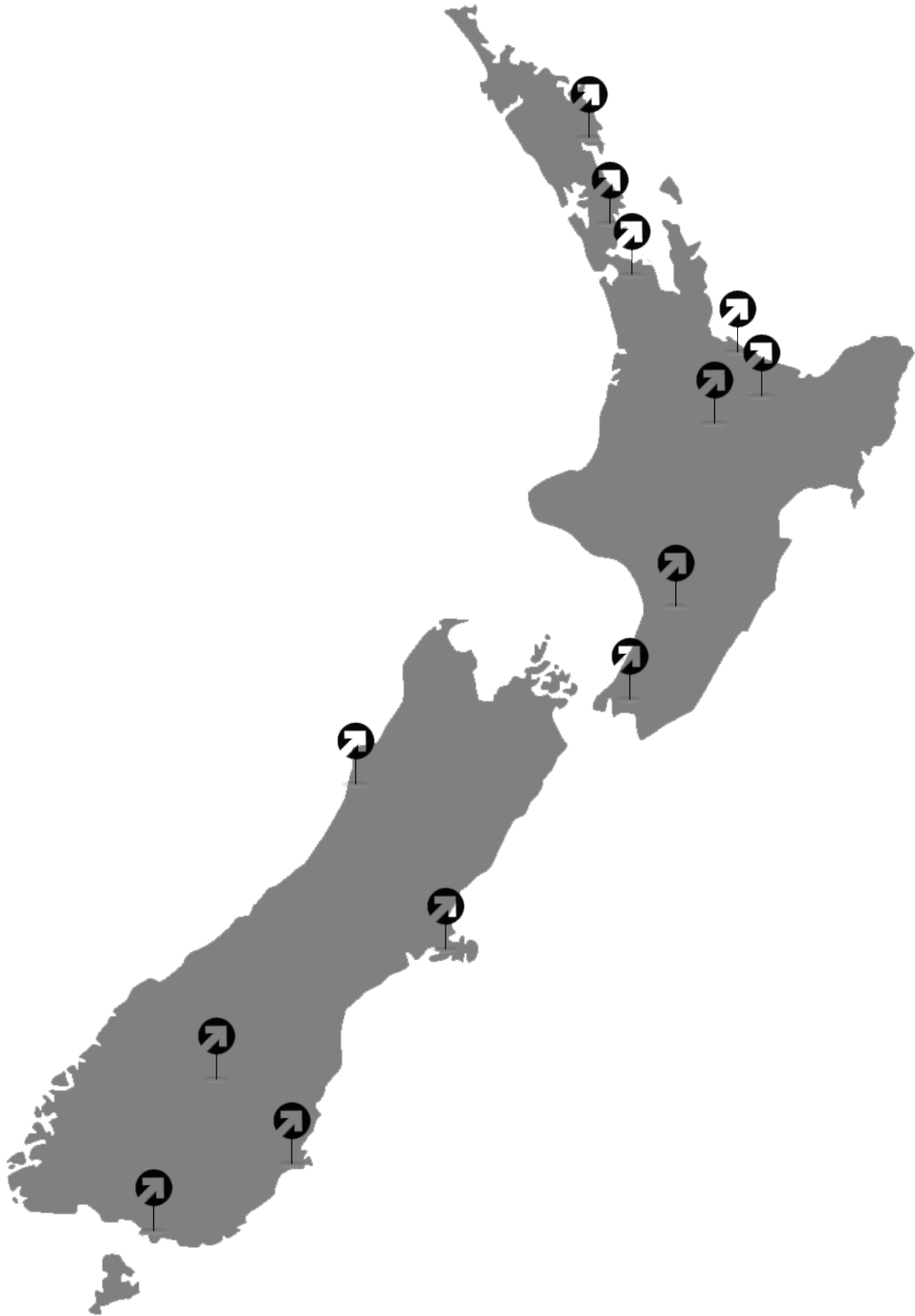
Torque Converter	Type	Single phase, 3 element	
	Torque ratio	3.43	
Travel Speed	Speeds	1	2
	Forward	10 km/h	26.5 km/h
	Reverse	0-9.6 km/h	0-26.5 km/h
Transmission	Type	Fixed power shift + high & low fixed shaft speed	
	Shift	Forward 2 / Reverse 2	
	Transmission Ratio	Forward 1	2:154
		Forward 2	0:768
		Reverse 1	2:207
		Reverse 2	0:785
	Transmission Pump	Gear driven	
Working Pressure	200 - 230 Psi		
Main Drive	Type	Single stage, spiral bevel gear	
	Gear Ratio	5:833	
Final Drive	Type	Single stage, planetary shift	
	Gear Ratio	3:9	
Driving Axle & Tyres	Type	4WD	
	Tyre Specification	16/70-20	
	Tyre Pressure	Front	48-51 Psi
Rear		39-42 Psi	
Brake System	Service Brake Type	Dry disc brakes on 4 wheels	
	Service Brake Pressure	100 - 114 Psi	
	Parking Brake	Manual	

## Service Fill Capacities

Fuel	120L	Engine Oil	13L
Hydraulic Oil	100L	Transmission	45L
Axles (Main drive & final drive)	2 x 8L	Brake System	4L

\*Materials and specifications are subject to change without notice.

**WORKHORSE PERFORMANCE  
WORLD CLASS SUPPORT.**



FREEPHONE 0800 848 267 - [www.transdiesel.com](http://www.transdiesel.com)

**Branches:**

CHRISTCHURCH (HEAD OFFICE), WHANGAREI, AUCKLAND, TAURANGA, ROTORUA, TAUPO, PALMERSTON NORTH, WELLINGTON, GREYMOOUTH, CROMWELL, DUNEDIN, INVERCARGILL