

Reliability in Action

WHEEL LOADER
LG938L



 **TRANSDIESEL**^{LTD}®

0800 848 267 - www.transdiesel.com

**SDLG**



LG938 Wheel Loader

LG938L Features

- Deutz 6 Litre 6 Cylinder Engine
- 4 speed Powershift transmission
- ROPS/FOPS Cabin. ISO EN 3449, ISO EN 3471, ISO EN 3164
- A/C cabin with pillarless wrap around windscreen
- Single lever hydraulic pilot control
- Hydraulic Quick Hitch
- Full powered 3rd function hydraulics
- Bucket Capacity 1.8m³ > 3m³
- 2 year/2000 hour warranty (conditions apply)

Optional Attachments

- Auto weighing system
- Auto grease system
- Air suspension seat
- Boom suspension
- Joystick transmission gear selection
- Large range of attachments available
- 4 in 1 buckets, range of Light Material Buckets from 1m³ to 4m³, Hydro Post Hole Diggers, Hay & Silage Handling Attachments, Pallet Forks & General Purpose Forks

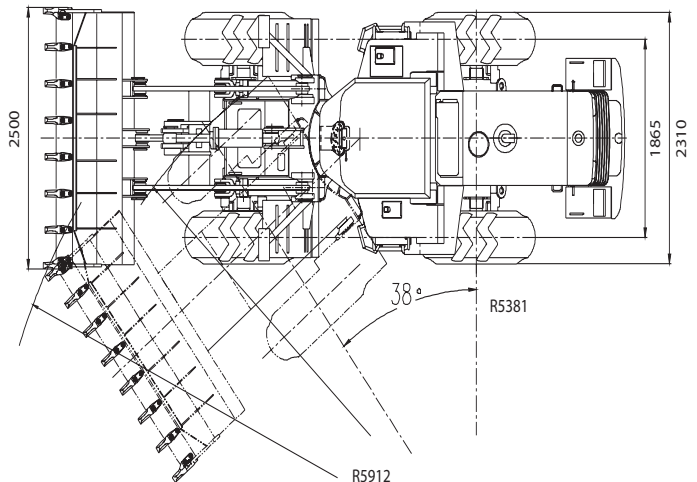
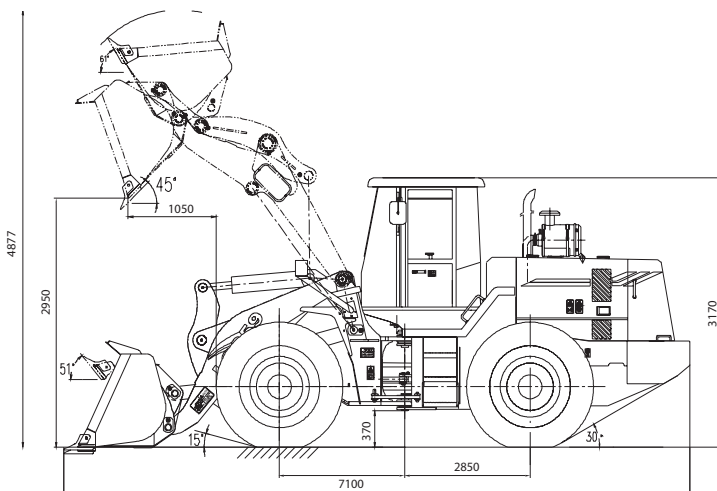
Specifications

Engine Power	97kW/130hp	Max Breakout Force	9,789kgf
Max. Traction Force	10,707kgf	Static Tipping Load at full turn	6,739kg
Operating Weight	10,900kg	Min Turning Radius Outside Rear Wheel	5,381mm
Standard Bucket Capacity	1.8m ³	Min. Turning Radius Outside Bucket	5,912mm
Lift Capacity (Rated Load)	3,000kg	Bucket Pin Height when fully raised Standard Arm	3,800mm
		*Optional - Bucket Pin Height when fully raised Long Arm	4,097mm

Dimensions

Length (Bucket on ground)	7,100mm	Width outside tyres	2,310mm
Height	3,170mm	Wheel Centres	1,865mm
Max. Dump Height (-45° angle)	2,950mm	Front wheel to bucket edge	1,050mm
Bucket Width	2,500mm	Wheelbase	2,850mm

Dimensions LG938L



Steering System

Type	Full-hydraulic articulated steering
Steering Pump	Gear driven hydraulic pump. 120L/min
Steering Cylinder Cylinder bore x piston rod diameter x stroke	80 x 45 x 327mm
Steering Orbital	Eaton BZZ5-E630C
Steering Angle	38°
Working Pressure	2030 Psi

Engine

Model	Deutz BF6M 2012-13T3-1109
Type	Watercooled, 4 stroke, 6 cylinder in line, direct injection, turbo charged
Rated Power	97kW/130hp
Rated RPM	2200rpm
Displacement	6.06L
Cylinders	6
Cylinder Bore Stroke	101/126mm
Max.Torque	560Nm

Hydraulics

Type	Single lever hydraulic pilot control
Boom Cylinder Cylinder bore x piston rod diameter x stroke	Double acting 125 x 70 x 771mm
Bucket Cylinder Cylinder bore x piston rod diameter x stroke	Double acting 140 x 80 x 502mm
Pump	Gear driven Hydraulic pump. 160L/min
Working pressure	2320 Psi
Lifting time (Max Load)	5.3s
Lowering time (Empty)	2.9s
Dumping time (Empty)	1.0s
Total	9.2s

Transmission

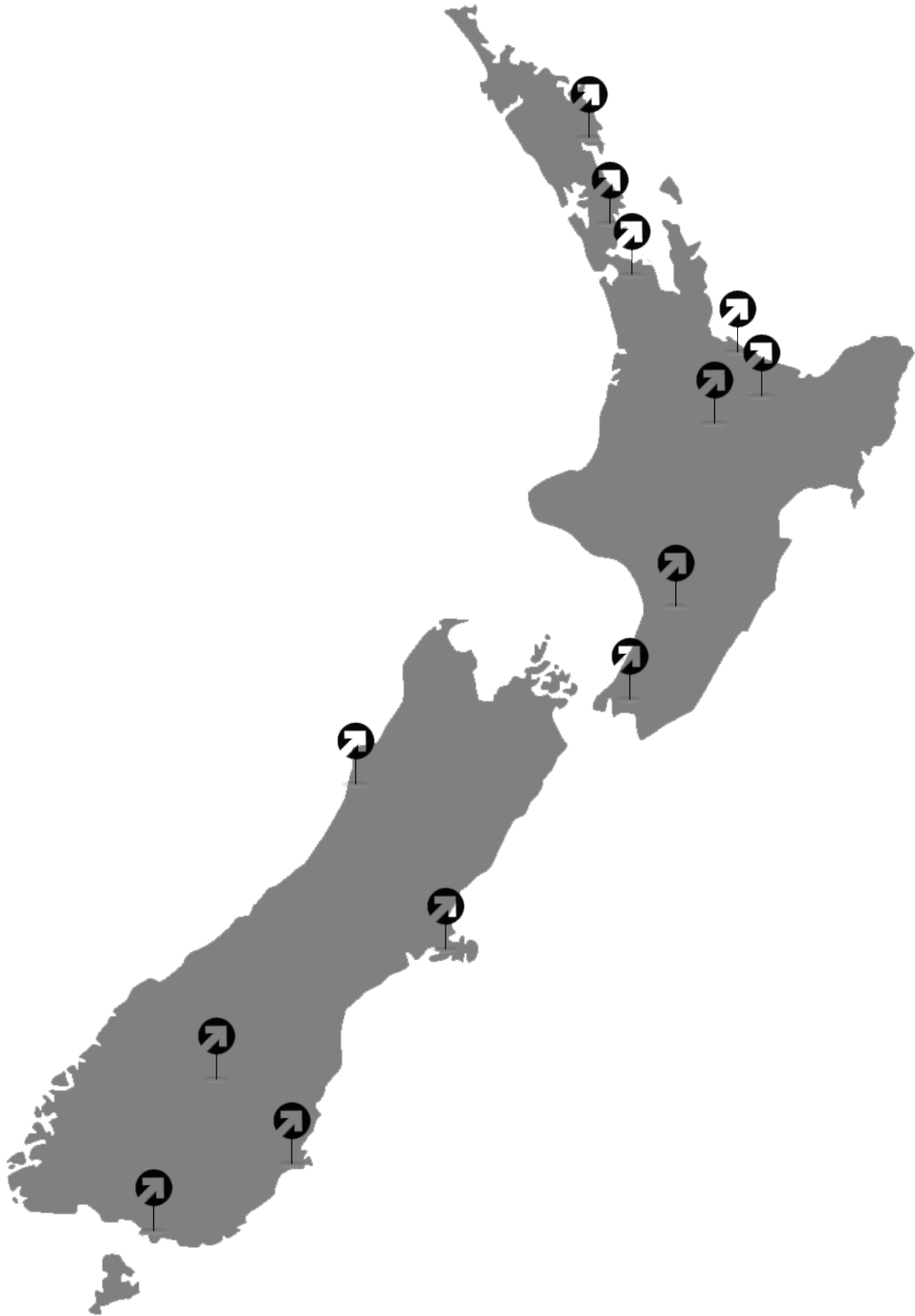
Torque Converter	Type	Single phase, hydraulic convertor			
	Torque ratio	2.3			
Travel Speed	Speeds	1	2	3	4
	Forward (km/h)	7	12	27	35
	Reverse (km/h)	0-7	0-12	0-27	-----
Transmission	Type	Electric over hydraulic, powershift			
	Shift	Forward 4 / Reverse 3			
	Transmission Ratio	Forward 1	3:91		
		Forward 2	2:304		
		Forward 3	0:964		
		Forward 4	0:617		
		Reverse 1	3:19		
		Reverse 2	2.304		
		Reverse 3	0.964		
	Transmission Pump	Gear driven hydraulic pump			
Working Pressure	188 - 246 Psi				
Main Drive	Type	Single stage, spur gear			
	Gear Ratio	6:167			
Final Drive	Type	Single stage, planetary shift			
	Gear Ratio	3:12			
Driving Axle & Tyres	Type	4WD			
	Mount	Oscillating rear axle, rigid front axle			
	Tyre Specification	17.5 - 25 Tubeless			
	Tyre Pressure	Front	47-51 Psi	Rear	40-42 Psi
Brake System	Service Brake Type	Air over hydraulic disc brakes			
	Service Brake Pressure	65 - 98 Psi			
	Parking Brake	Air operated internal expansion brake			

Service Fill Capacities

Fuel	160L	Engine Oil	17.5L
Hydraulic Oil	128L	Transmission	25L inclusive
Axles (Main drive & final drive)	2 x 13L	Brake System	4L

*Materials and specifications are subject to change without notice.

**WORKHORSE PERFORMANCE
WORLD CLASS SUPPORT.**



FREEPHONE 0800 848 267 - www.transdiesel.com

Branches:

CHRISTCHURCH (HEAD OFFICE), WHANGAREI, AUCKLAND, TAURANGA, ROTORUA, TAUPO, PALMERSTON NORTH, WELLINGTON, GREYMOOUTH, CROMWELL, DUNEDIN, INVERCARGILL