



YANMAR

Wheel Loaders

V3-7S/V4-7

Standard bucket capacity (0.4 / 0.5m³)







V3-7S **V4-7**

**YANMAR wheel loaders pack power,
versatility and agility in compact package**



BUILDING **WITH YOU**

Features of V3-7S / V4-7

Articulated Steering

Offers great maneuverability in tight spaces.

Page 8

Dumping Clearance and Reach

High dumping clearance and reach maximize productivity of truck loading application.

Page 9

P.T.O. Hydraulic Line

Enables easy, fast and intuitive control of various attachments.

Page 11

Automatic Leveler

Place the bucket evenly on the ground with one push of a lever.

Page 9

Mechanical Quick Coupler (Optional)

Quick coupler makes it easy to change buckets and other attachments.

Page 15

Zinc Plated Bucket and Wheel Rims (Optional)

Protection against rust.

Page 15

YANMAR Engine **YANMAR ORIGINAL**

Powerful, reliable and efficient.

Page 7



Cabin Space

Large windshield and side windows offer good visibility.

Page 14

Air Conditioner (Optional)

Adjust the temperature to all seasons. Provides maximum comfort all year around.

Page 14

Defroster (Optional)

Defrosts windshield in seconds.

Page 14

Emergency Engine Stop Switch

In case of emergency, the engine can be shut down easily with emergency switch.

Page 13

SMARTASSIST Remote

Advanced fleet management system.

Page 13

Wide-Open Engine Bonnet

Easy inspection and maintenance.

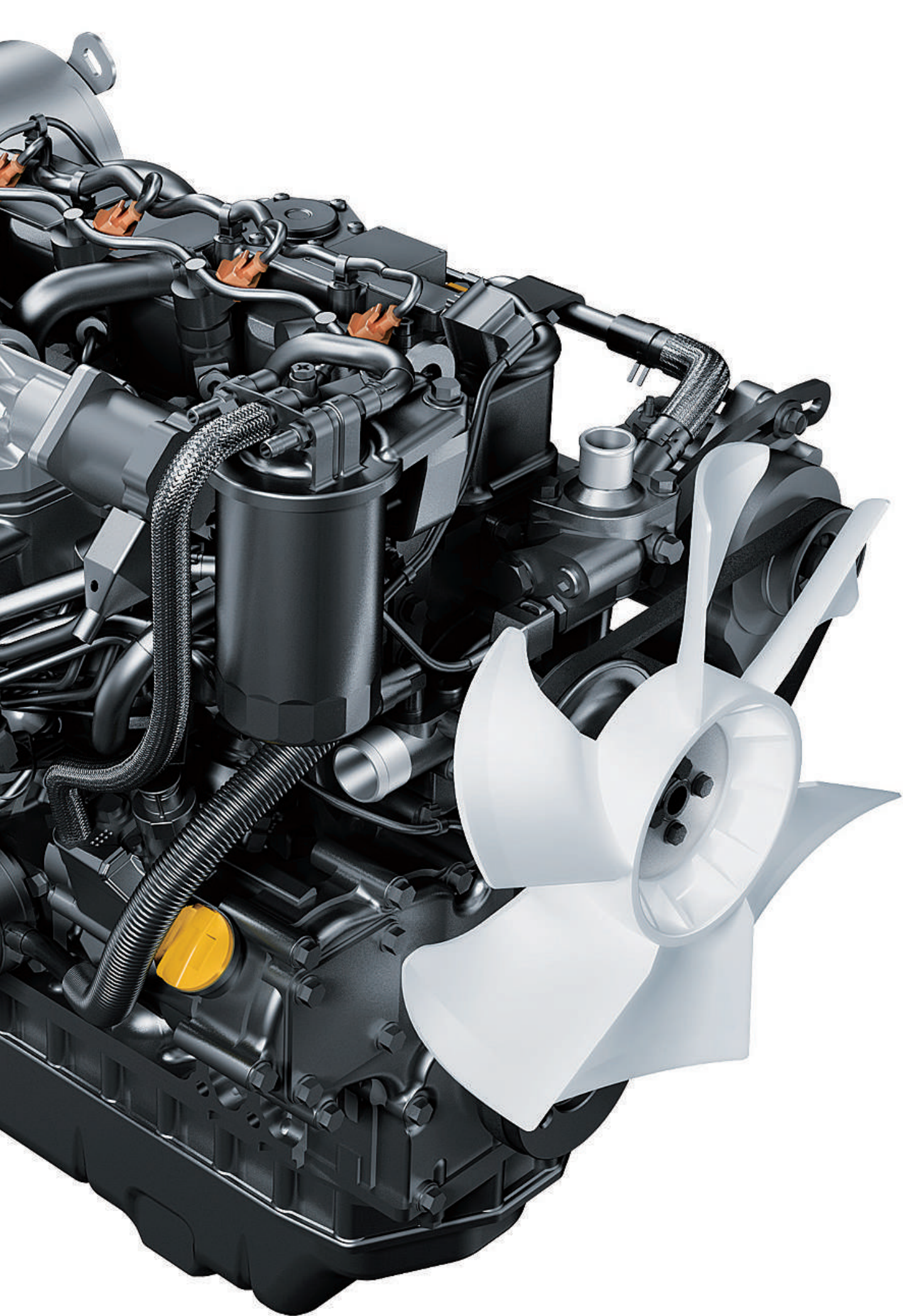
Page 12

Rear Axle Oscillation

Provides excellent stability and performance on uneven ground.

Page 10





Reliable YANMAR engine designed to deliver powerful output and fuel efficiency

YANMAR Engine

Equipped with legendary YANMAR TNV engines.

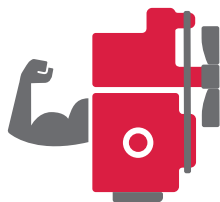
They guarantee high quality, power and efficiency thanks to advanced technologies.

V3-7s

Model **3TNV88-EPKAH2** Output (Gross) **18.9kW**

V4-7

Model **4TNV88C-NKAH** Output (Gross) **30.5kW**



High Performance Engine

High performance engines provide a powerful boost for tough works.



Common Rail Engine with DPF ^{**1} (V4-7 only)

High precision fully electronically controlled common rail and fuel injection system for fuel efficiency. YANMAR's automatic DPF regeneration technology provides seamless operation, no downtime for cleaning or servicing filters.

^{**1} Diesel Particulate Filter (DPF): is designed to capture diesel particulates to prevent their release to the atmosphere.



Articulated Steering

An articulated steering achieves tight turning radius. It also enables the rear tires to follow the path of front tires when turning, for a great maneuverability in narrow spaces.

Minimum turning radius
(at outermost)

V3-7S **3575**mm
V4-7 **3805**mm

Machine width **V3-7S 1570**mm / **V4-7 1690**mm

Operating weight **V3-7S 2920**kg / **V4-7 3640**kg

*Canopy type

Big capability, compact size



Dumping Clearance and Reach

Get more loading and unloading job done thanks to great dumping height and operating load.

1 Dumping reach

V3-7s 775mm
With quick coupler 960mm

2 Dumping clearance

2130mm
With quick coupler 1950mm

3 Operating load

700kg

1 Dumping reach

V4-7 790mm
With quick coupler 960mm

2 Dumping clearance

2420mm
With quick coupler 2250mm

3 Operating load

1150kg



Automatic Leveler

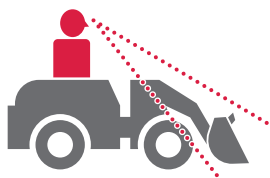
Place the bucket evenly on the ground with one push of a lever. Boost productivity by transitioning seamlessly from dumping to scooping.

Uneven terrain? Not a problem



Rear Axle Oscillation

The rear oscillating axle has a wide slewing angle of 8°. This ensures strong traction by keeping all four wheels in contact with ground on even terrain. The operator also sits parallel to the work attachment at all times, resulting in less operator fatigue throughout the day.



All-around Visibility

An excellent seating position ensures optimal all around visibility. The optimal visibility leads to better productivity and safety.



Horsepower Adjustability

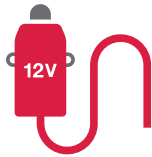
Torque is synchronized to the amount load while driving. It prevents engine from stalling at uphill or muddy job conditions.



Inching Pedal

It enables you to fine tune engine output between driving power and working hydraulics.

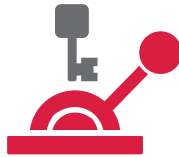
Ergonomic design



1

External Power Outlet(12V)

The 12V power socket can be used for charging your cell phone and other devices.



2

Forward / Reverse Lever

The forward and reverse gear can be easily switched. It comes with safety lock to avoid accidents.



3

Large LCD Monitor with LED Backlight

Easy-to-read display showing operating status and maintenance information.



4

Lockable Operating Lever

Operating lever is easy to use. It can be locked to prevent from accidental operations.



5

P.T.O. Hydraulic Line

Powerful hydraulic P.T.O. line is available as an option. Enables easy, fast and intuitive control of various attachments.



6

Parking Brake Pedal

The parking brake ensures secure parking.



Rear Engine Bonnet

A wide opening of rear engine bonnet enables easy and quick access to main components and filters.



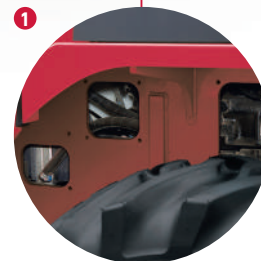
The floor cover can be easily removed for quick access to engine and power terrain.



Radiator



Electrical fuse box and relays



Generator, starter motor and oil cooler

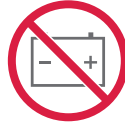
Easy maintenance and enhanced safety



1

Engine, Hydraulics and Power Terrain

Engine, hydraulics and power terrain are laid out cleverly through rear bonnet and cabin floor so that inspection and maintenance can be performed smoothly.



2

Battery Cutoff Switch

Turn off the switch during long-term storage to prevent the battery from being drained.



3

Electrical Components

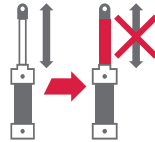
Electric fuse box and relays can be easily accessed through rear bonnet.



4

Parking Brake Alarm

An alarm will let you know if you forget to activate parking mode.



Cylinder Safety Lock

The boom can be locked when raised, allowing for safe inspections and maintenance.

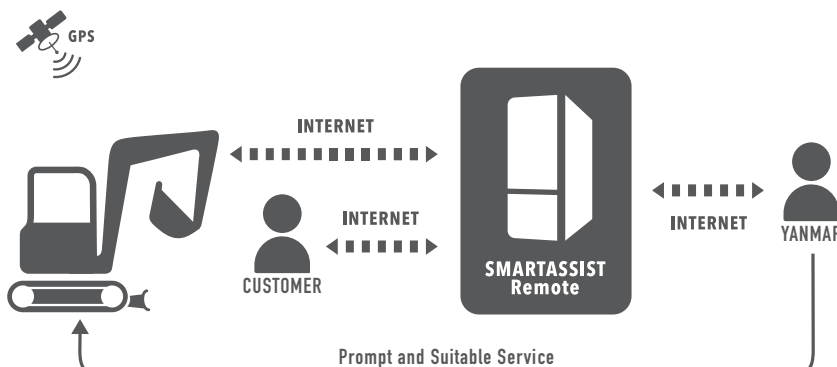


Emergency Engine Stop Switch

In case of emergency, the engine can be shut down easily with emergency switch.

SMARTASSIST

Remote

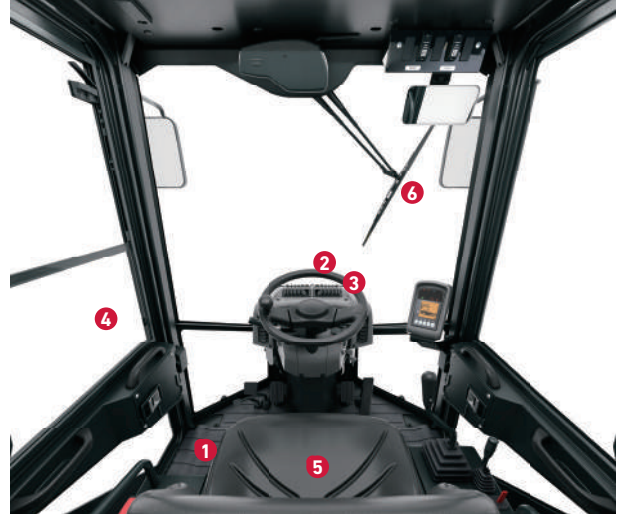


Watch Video

Our service to avoid machine downtime

SMARTASSIST Remote is a telematic system that provides sophisticated management for construction equipment equipped with a GPS transmission terminal. This system monitors construction equipment remotely and ascertains maintenance intervals and troubles in a timely manner via the Internet, which allows YANMAR to constantly provide the customers with suitable services and support.

Wheel loaders for all year around



1

Cabin Space

Large windshield, side windows and windows in the lower section of the door provide all around good visibility to ensure safe operation.



40%UP

2

Defroster (Optional)

The heater unit is ideally positioned to increase its effectiveness. Defroster ensures excellent visibility in cold weather conditions.



3

Air Conditioner (Optional)

The high performance air conditioner lets the operator to adjust the temperature to all seasons. It provides maximum comfort all year around.



4

Sliding Window

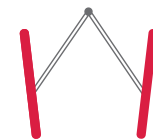
The left-hand side window can be opened and adjusted in 5 levels.



5

Reclining and Sliding Seat

Adjustable seat to fit operator's body and posture.



6

Windshield Wipers

The non-parallel windshield wipers effectively cover a wider area of the windshield.



Cabin
(ROPS^{*1}/FOPS^{*2})



Canopy
(ROPS^{*1}/FOPS^{*2})



Mechanical Quick Coupler

Quick coupler makes it easier and quicker than ever to change buckets and other attachments. It saves time so operator can focus job in hand.



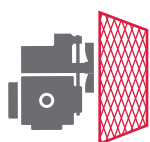
Zinc Plated Bucket

A bucket is zinc plated to prevent from rusting. It is suitable for agriculture applications.



Selection of Tires

Snow tires, solid tires and zinc plated wheel rims are available for your job applications.



Radiator Dust Guard

The dust guard stops from external substances going into the radiator. It reduces cleaning time of radiator.

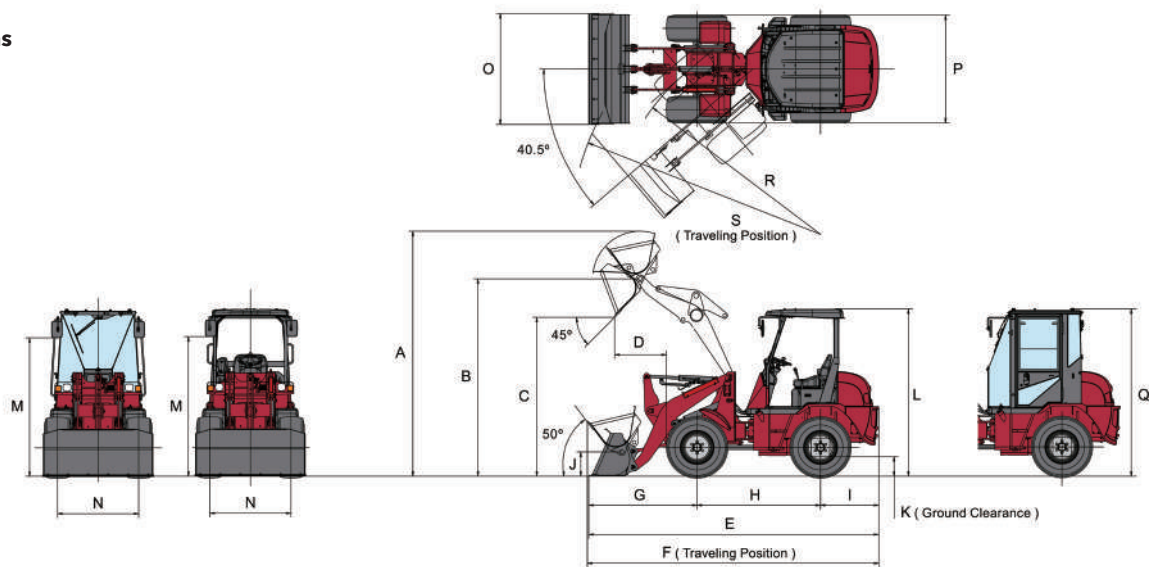


Maximum Speed Limit (Inching Lever)

Travel speed can be limited for securing the necessary flow when using attachments required large flow.

*1 Roll-Over Protective Structure (ROPS): A structure to protect the operator wearing a seat belt, in case the machine rolls over.
*2 Falling Object Structure (FOPS): A structure to protect the operator from falling objects.

● Dimensions



Unit: mm (in.)

	A	B	C	D	E	F	G	H	I	J	K	L	M	N	O	P	Q	R	S
V3-7S Canopy	3340 (131.5)	2670 (105.1)	2130 (83.9)	775 (30.5)	4115 (162.0)	4145 (163.2)	1515 (59.6)	1770 (69.7)	830 (32.7)	270 (10.6)	255 (10.0)	2470 (97.2)	2035 (80.1)	1180 (46.5)	1570 (61.8)	1560 (61.4)	-	3045 (119.9)	3575 (140.7)
V4-7 Canopy	3730 (146.9)	3005 (118.3)	2420 (95.3)	790 (31.1)	4425 (174.2)	4450 (175.2)	1655 (65.2)	1880 (74.0)	890 (35.0)	370 (14.6)	295 (11.6)	2555 (100.6)	2125 (83.7)	1240 (48.8)	1690 (66.5)	1645 (64.8)	-	3200 (126.0)	3805 (149.8)
V4-7 Cabin												-	2115 (83.3)						

● Specifications

MODEL	V3-7S		V4-7		
TYPE	Canopy		Canopy	Cabin	
WEIGHT	Operating weight		kg (lbs.)		
			2920 (6437)	3640 (8025)	
BUCKET	Capacity, standard		cu.m (cu.ft)		
			0.4 (14.13)	0.5 (17.66)	
ENGINE	Type		Water-cooled 3-cylinder diesel engine		
	Model		3TNV88-EPKAH2		
	Rated output	Gross	kW (HP) / rpm	18.9 (25.7) / 2400	
		Net	kW (HP) / rpm	18.2 (24.4) / 2400	
Displacement		cu.cm (cu.in.)	1642 (100.2)		
Operating load		kN (lbs.)	6.9 (1543)		
Lifting capacity	at Low end		kN (lbs.)		
	at Max reach		kN (lbs.)		
PERFORMANCE	Tipping load	Straight	kN (lbs.)	17.9 (4034.3)	
		Full turn	kN (lbs.)	16.0 (3593.4)	
	Breakout force		kN (lbs.)	24.0 (5401.1)	27.1 (6092)
Dumping clearance		mm (in.)	2130 (83.9)		
Min. ground clearance		mm (in.)	255 (10.0)		
Min. turning radius, at outermost		mm (in.)	3575 (140.7)		
Max. travel speed, high / low		km/h (mph)	15 (9.3) / 6 (3.7)		
ELECTRONIC	Battery voltage, 5 hrs rate capacity		V - Ah	12 - 72	
	Generator capacity		V - A	12 - 80	
HYDRAULIC SYSTEM	Pump displacement		cu.cm / rev (cu.in. / rev)	0 to 28 (0 to 1.70)	
	Relief valve set pressure, high / low		MPa (PSI)	44.5 (6454.2) / 2.5 (362.6)	
	Max. P.T.O. output		L/min (gpm)	38.9 (10.27)	
STEERING SYSTEM	Type		Articulated steering		
	Articulation angle		degrees	40.5	
DRIVE SYSTEM	Type		4-wheel drive		
	Oscillation angle		degrees	± 8	
	Tires		12.5 / 70 - 16 - 6PR		
TRANSMISSION	Type		Automatic hydrostatic		
	Type		Fully enclosed, wet, multiple disc		
BRAKES	Operation method		Mechanical		
	Type		Fully enclosed, wet, multiple disc		
TRANSPORT DIMENSIONS	mm (in.)		4115 × 1570 × 2470 (162.0 × 61.8 × 97.2)		
	mm (in.)		4425 × 1690 × 2555 (174.2 × 66.5 × 100.6)		
TANK CAPACITY	Fuel tank		L (gal)	55 (14.52)	
	Engine oil		L (gal)	4.7 (1.24)	
	Hydraulic oil, tank / other parts		L (gal)	42 (11.09) / 10 (2.64)	
	Coolant, radiator		L (gal)	4.2 (1.10)	
	Axle, front / rear		L (gal)	6.5 (1.71) / 8.5 (2.24)	

All data are subject to change without notice. Note that the standard equipment may vary. Consult your YANMAR dealer for confirmation.

YANMAR COMPACT EQUIPMENT



yanmar.com

Printed in Japan
031D0-G01421 2208