

V O L V O



Volvo Excavators 5.55-6.96 t 47.3 kW

EW60E

Volvo Construction Equipment



Welcome to our world

Welcome to a world of industry leading machinery. A world where imagination, hard work and technological innovation will lead the way towards developing a future which is cleaner, smarter, and more connected. A world supported by the enduring values of the Volvo Group. A world of stability, sustainability and innovation. A world which we put our customers at the heart of.

Welcome to the world of Volvo Construction Equipment – we think you're going to like it here.

Working harder, working smarter

For over 180 years Volvo has been a pioneer in the design and manufacture of machines which set the standard for efficiency, performance and uptime. Across our range of excavators, wheel loaders and haulers, our reputation for engineering excellence is unrivalled, which means whatever your operation or application, we can provide a total fleet solution to help you succeed.

Building on our proud history, the Volvo Concept Lab continues to create cutting-edge ideas and innovative concepts, to ensure we offer customers machines which work harder and smarter long into the future.



Solutions for you

Our industry leading machines are just the start of your relationship with Volvo. As your partner, we have developed an extensive range of additional solutions to help you improve uptime, boost productivity and reduce costs.

Designed for your business

Structured across nine blocks, our portfolio of products and services are designed to complement your machine's performance and boost your profitability. Simply put, we offer some of the best guarantees, warranties and technological solutions in the industry today.

There when you need us

Whether you're buying new or used, our global network of dealers and technicians offer around-the-clock support, including machine monitoring and world-class parts availability. It's the basis of everything offered by Volvo Services, so you can be confident we've got you covered right from the start.

 Fuel Efficiency Services	 Productivity Services	 Safety Services
 Financial Services	 Uptime Services	 Rental Services
 Volvo Attachments	 Genuine Volvo Parts	 New life Services

BUILDING TOMORROW

Space and comfort to work

The EW60E features an innovative cab design for a comfortable and more productive operator environment. Well-designed ergonomics and a modern LCD display give you perfect control in all operations. Plenty of storage space is available for personal belongings.

Operator convenience

Ample storage space is available for operator comfort and convenience. A phone tray, two power sockets, cup holder and three other large storage areas makes the Volvo cab a more convenient working environment.



Operator visibility

All-round visibility is enhanced by thin pillars, large glazed area and a large wiper blade. The rear view camera secures a better view for perfect and safe control through the 7" color LCD display. This ensures there are no blind spots even in the most confined working areas.



Work in comfort

The comfortable and adjustable seat makes it easier for the operator to work hard all day and feel less tired by the end of it. The cab's air conditioning is efficient and in automatic mode, the temperature remains at a set level. Six adjustable vents allow for optimal airflow in the cab.



Ease of control

Control your machine with minimal effort in order to get more done in less time. The keypad groups all controls on the right hand side and the 7" color LCD screen displays all machine information for access to functions through its easy to use menus. Through the hot keys, the operator can directly access pre-set functions for added convenience. The proportional joystick provides excellent grip, and the roller fits your thumb perfectly for easy and precise control.





LARGER CAB

A comfortable working space results in better operation, increasing production and reducing fatigue. The cab design creates space behind the seat, allowing the operator to move more freely. The new generation Volvo Cab features excellent visibility and reduced noise levels.

Power for performance

Climb quick, swing smooth, dig hard and load fast with the EW60E. The traction, swing force and lifting capacity gets you results, fast. This versatile and powerful machine can be tailored for any job and is suitable for a wide range of applications.

Powerful Volvo Stage V engine

Give your job site a boost and achieve fast results. Great power and effective cooling ensure optimized performance in any climate. For the ultimate combination of power and performance, the Stage V engine helps to push through challenging conditions.



Smooth operation

Smooth combined operations means you can make very accurate and precise movements. With responsive controls the machine does exactly what the operator intends for less fatigue and fluent movement.



Versatility

Perform on any job site, whether you're working in a confined space or major construction area. The machine's compact design, long arm, optional fixed boom and offset boom, long dozer blade, auxiliary hydraulic and thumb piping makes the machine suitable for a wide range of jobs and applications.



Wheeled performance

A top speed up to 30km/h and the four wheel drive allow you to go on and off-road for better mobility. Drive the machine easily between locations and access hard to reach job sites to save time and keep your machine in prime condition.





BOOSTED PERFORMANCE

Do more in less time with outstanding combined digging efforts, powerful travel force, fluid swing force and optimal lifting capacity. The EW60E has been designed to tackle the most challenging job sites and contracts using the powerful Volvo Stage V engine and adjustable hydraulic flow. Its well-balanced driveline delivers optimum performance whether working on the job site or on the move.

Profit in your business

The EW60E is designed and built to increase your profitability and keep you working for longer. To reduce your running costs it features excellent service access, convenient maintenance points and Volvo's auto engine shutdown feature. With outstanding fuel efficiency this durable and reliable machine secures your costs and increases your uptime.

Low fuel consumption

The Volvo engine and hydraulics together offer superior fuel efficiency. The standard auto idle feature helps to reduce your fuel consumption even further and increase your profits.



Auto engine shutdown

A unique offering from Volvo, the engine stops automatically after a preselected time, lowering fuel costs and noise. A stopped hour meter reduces maintenance costs and increases the resale value of the machine.



MATRIS and VCADS Pro

By working with your dealer and using Volvo MATRIS software you can analyze operator behavior to improve efficiency, boost productivity and reduce your fuel and maintenance costs. Volvo also offers the VCADS Pro diagnostic system, making it easy to control your machine.



Durability and reliability

The EW60E is designed with the same high quality as all Volvo machines, including robust transmission system and axles, so you can be assured it's durable and reliable on your job site. You can depend on your machine to perform and work hard for peace of mind.





SERVICEABILITY

Keep your machine up and running with a number of features combined to increase machine availability and reduce downtime. Ground level service access, including great access to the main control valve, convenient greasing points, a large tool box in the lower structure and an easy to clean cooling unit all reduce service time and maintenance costs. Check service intervals easily through the in-cab screen, which shows reminders when maintenance is needed.

One machine, many job sites

Volvo offers a wide range of durable attachments that are suitable for any job site, including utilities, building, agriculture, landscaping and forestry. Volvo attachments are an integrated part of the excavator for which they're intended – delivering maximum productivity and versatility.

Quick coupler

Both the mechanical and the hydraulic quick couplers allow a complete range of buckets to be changed quickly and efficiently.



Buckets

A complete range of buckets from general purpose reinforced buckets to ditching buckets, allow the machine to work on many job sites for a wide range of applications. The durable buckets can work in loose gravel, crushed rock, dirt and soil.



Breaker

Volvo's durable hydraulic breakers have been designed for ultimate compatibility with Volvo excavators. The wide range of breaker tools (or bits) has been built to break all kinds of materials and combines excellent performance with low noise and vibration levels.



Steelwrist tiltrotator

A factory ready Volvo compact excavator together with a Steelwrist® tiltrotator delivers the ultimate combination of high productivity, safety, precision and control. Steelwrist tiltrotators provide a superior tilt angle and the compact design with low build height results in improved digging performance and higher fuel efficiency. Get more done with your machine, without changing attachment or machine position.





ATTACHMENTS VERSATILITY

The machine's attachment can be easily changed to save time and costs. Its design, hydraulics, piping and in-cab switches combined with the Volvo attachments range allows the EW60E to take on a variety of tasks. Volvo attachments work in harmony with the machine to deliver maximum productivity.

A compact machine with big potential

Boosted performance

Do more in less time with outstanding combined digging efforts, powerful travel force, fluid swing force and optimal lifting capacity.

MATRIS and VCADS Pro

Volvo MATRIS analyses operator behaviour, improving efficiency and productivity. VCADS Pro helps to control your machine.

ECO mode

Volvo's unique ECO mode improves fuel efficiency without any loss of performance in most operating conditions.

Serviceability

Ground level service access, including great access to the main control valve, convenient greasing points and easy to clean cooling unit reduce service time.

Powerful Volvo Stage V engine

For the ultimate combination of power and performance, the engine helps to push through challenging conditions.

Wheeled performance

A top speed up to 18 mi/h (30km/h) and the four wheel drive allow you to go on and off-road for better mobility.

Attachments versatility

The Volvo attachments range allows the machine to take on a variety of tasks for a wide range of jobs and applications.

Smooth operation

Smooth combined operations means you can make very accurate and precise movements.

Auto engine shutdown

The auto engine shutdown provides lower fuel costs, less noise, much lower maintenance costs and a greater resale value.



Larger cab

A comfortable working space results in better operation, increasing production and reducing fatigue.

Ease of control

The keypad groups all controls on the right hand side and the LCD screen displays all machine information for access to functions.

Operator convenience

Ample storage space in the cab is available for operator comfort and convenience.

Customer Support Agreements

Customer Support Agreements offer preventive maintenance, total repairs and a number of uptime services.



Adding value to your business

Being a Volvo customer means having a complete set of services at your fingertips. Volvo can offer you a long-term partnership, protect your revenue and provide a full range of customer solutions using high quality parts, delivered by passionate people. Volvo is committed to increasing the positive return on your investment and maximising uptime.

Complete Solutions

Volvo has the right solution for you. So why not let us provide all your needs throughout the whole life cycle of your machine? By

listening to your requirements, we can reduce your total cost of ownership and increase your revenue.



Genuine Volvo Parts

Our attention to detail is what makes us stand out. This proven concept acts as a solid investment in your machine's future. Parts are extensively tested and approved because every part is vital for uptime and performance. Only by using Genuine Volvo Parts, can you be sure that your machine retains the renowned Volvo quality.

Service Network

In order to respond to your needs faster, a Volvo expert is on their way to your job site from one of our Volvo facilities. With our extensive infrastructure of technicians, workshops and dealers, Volvo has a comprehensive network to fully support you using local knowledge and global experience.





CUSTOMER SUPPORT AGREEMENTS

The range of Customer Support Agreements offer preventive maintenance, total repairs and a number of uptime services. Volvo uses the latest technology to monitor machine operation and status, giving you advice to increase your profitability. By having a Customer Support Agreement you are in control of your service costs.

Volvo EW60E in detail

Engine

The new engine which provides excellent performance is equipped with a four-cylinder, vertical, electronic controlled high pressure fuel injectors, in-line turbo charger and water cooled diesel engine type. This engine fully meets the demands of the latest Stage V emissions regulations.

Engine	Volvo	D2.6H
Max. power at	r/min	2 400
Net (ISO9249/SAEJ1349)	kW	45.2
	hp	61.5
Gross (ISO 14396/SAE J1995)	kW	47.3
	hp	64.3
Max. torque	Nm	221.6
at engine speed	r/min	1 500
No. of cylinders		4
Displacement	l	2.6
Bore	mm	87
Stroke	mm	110

Electrical system

Voltage	V	12
Batteries	V	1 x 12
Battery capacity	Ah	100
Alternator	V/Ah	12/90
Start motor	V - kW	12 - 2.5

Undercarriage

Drive train: One big variable axial-piston motor on the two-step Power Shift gearbox gives power to front and rear axles.
 Framework: All-welded robust torsion box frame.
 Front axle: Robust excavator axle with automatic or operator controlled front axle oscillation lock.

Oscillating	± °	4.8
with mudguards	± °	4.8
Single wheels	type	12-16.5 12PR
Twin wheels	type	7.5-15 14PR
Tractive force (net) - Single wheels	kN	29
Tractive force (net) - Twin wheels	kN	33
Travel speed, on road	km/h	20/30
Travel speed, off road	km/h	10
Min. turning radius - Single wheels	m	5.1
Min. turning radius - Twin wheels	m	5.37

Chosen travel speed option may be affected by local regulations.
 Real Max Travel speeds may be different depending on option configurations.

Cab

Refrigerant of the type R134a is used when this machine is equipped with air conditioning. Contains fluorinated greenhouse gas R134a, Global Warming Potential 1.430 t CO₂-eq

Sound Level

Sound pressure level in cab according to ISO 6396		
L _{pA}	dB	78
External sound level according to ISO 6395 and EU Noise Directive 2000/14/EC		
L _{WA}	dB	98

Hydraulic system

Open-center, negative hydraulic system providing accurate controllability. The following working modes are included in the system:
Parking mode (P): Parking position for optimal safety.
Travel mode (T): Engine speed is controlled by travel pedal stroke and mode selection switch for low fuel consumption and noise. Work equipment are not able to move at this mode for optimal safety.
Working mode (W): Full working flow with adjustable engine rpm for normal working and best speed utilisation.

Main pump (Type: Variable-displacement pump)

Max. flow	l/min	2 x 60
-----------	-------	--------

Pilot pump (Type: Gear pump)

Max. flow	l/min	1 x 21.4
-----------	-------	----------

Swing + steering pump (Type: Low noise gear pump)

Max. flow	l/min	1 x 38.9
-----------	-------	----------

Relief valve setting pressure

Implement	MPa	22.5
Travel system	MPa	22.5
Slew system	MPa	18.6
Pilot system	MPa	3.13

Hydraulic Cylinders

Boom		1
Bore x Stroke	ø x mm	110 x 707
Boom 2nd		2
Bore x Stroke	ø x mm	90 x 406
Arm		1
Bore x Stroke	ø x mm	90 x 813
Bucket		1
Bore x Stroke	ø x mm	80 x 660
Dozer blade		1
Bore x Stroke	ø x mm	105 x 230
Boom swing		1
Bore x Stroke	ø x mm	90 x 570

Brake system

Service brakes: servo-hydraulically manoeuvred self-adjusting wet multidiscs with two separate brake circuits.
Parking brake: negative wet disc in gear housing, spring applied and pressure released.
Digging brake: service brake with mechanical lock system.
Security system: The 2-circuit travel brakes are supplied with two accumulators in the event of failure in the service brake system.

Swing system

No need for gear oil replacement: The lubricating system uses hydraulic operation oil for the reduction gear, eliminating the need for gear oil replacement.
Built-in parking brake: Parking brake can be built into the hydraulic motor, enabling safer parking on an incline.
Shockless function: Shockless relief is standard equipment to enable smooth traversing.

Max. slew speed	r/min	9.5
Max. slew torque	kNm	11.6

Total Machine Weights

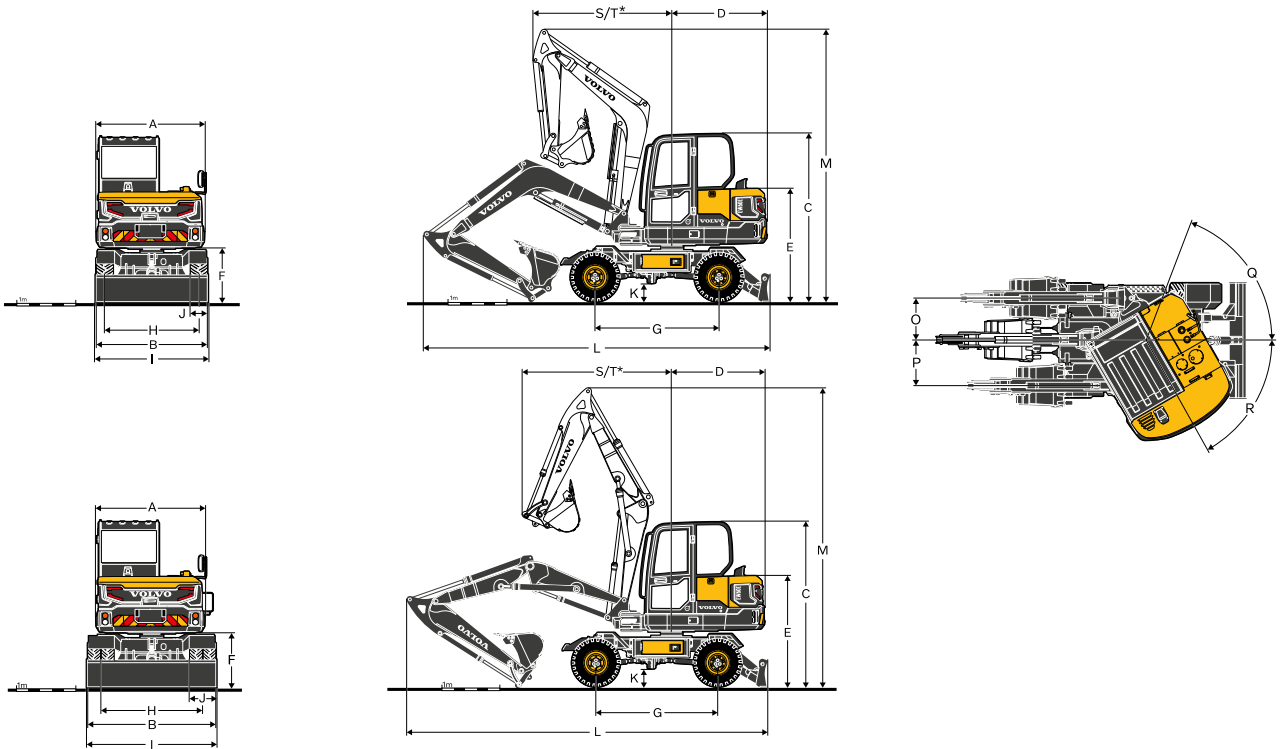
Machine with 2.9m boom, 1.6m arm, 0.142m³ bucket, standard counterweight, dozer blade, Single wheels, 75kg operator weight and without quick coupler

With dozer blade	kg	5 980
------------------	----	-------

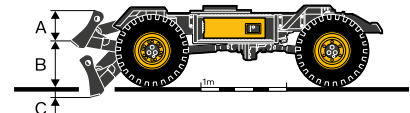
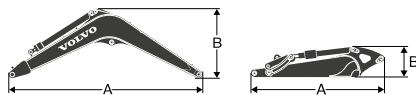
Service Refill

Fuel tank	l	105
Hydraulic system, total	l	120
Hydraulic tank	l	76
Engine oil	l	11
Engine coolant	l	10
Transmission	l	1.7

Specifications



DIMENSIONS		EW60E				
Boom		2.9		3.24		
Arm		1.6	1.9	1.6	1.9	
A	Overall width of upper structure	mm	1 845	1 845	1 845	1 845
B	Overall width	mm	1 930	1 930	2 200	2 200
C	Overall height of cab	mm	2 855	2 855	2 833	2 833
D	Tail swing radius	mm	1 650	1 650	1 675	1 675
E	Overall height of engine hood	mm	1 901	1 901	1 887	1 887
F	Counterweight clearance	mm	960	960	940	940
G	Wheel base	mm	2 100	2 100	2 100	2 100
H	Tread width	mm	1 595	1 595	1 714	1 714
I	Dozerblade width	mm	1 930	1 930	2 200	2 200
J	Tire width	mm	305	305	452	452
K	Min. ground clearance	mm	295	295	276	276
L	Overall length	mm	5 869	5 895	6 203	6 220
M	Overall height of boom raise	mm	4 599	4 600	5 150	5 150
S	Front swing radius	mm	2 352	2 368	2 423	2 571
T*	Front swing radius(Max. offset)	mm	1 386	1 386	1 957	1 957
O	Boom swing distance	mm	756	756	756	756
P	Boom swing distance	mm	863	863	863	863
Q	Boom swing angle	°	80		80	
R	Boom swing angle	°	50		50	



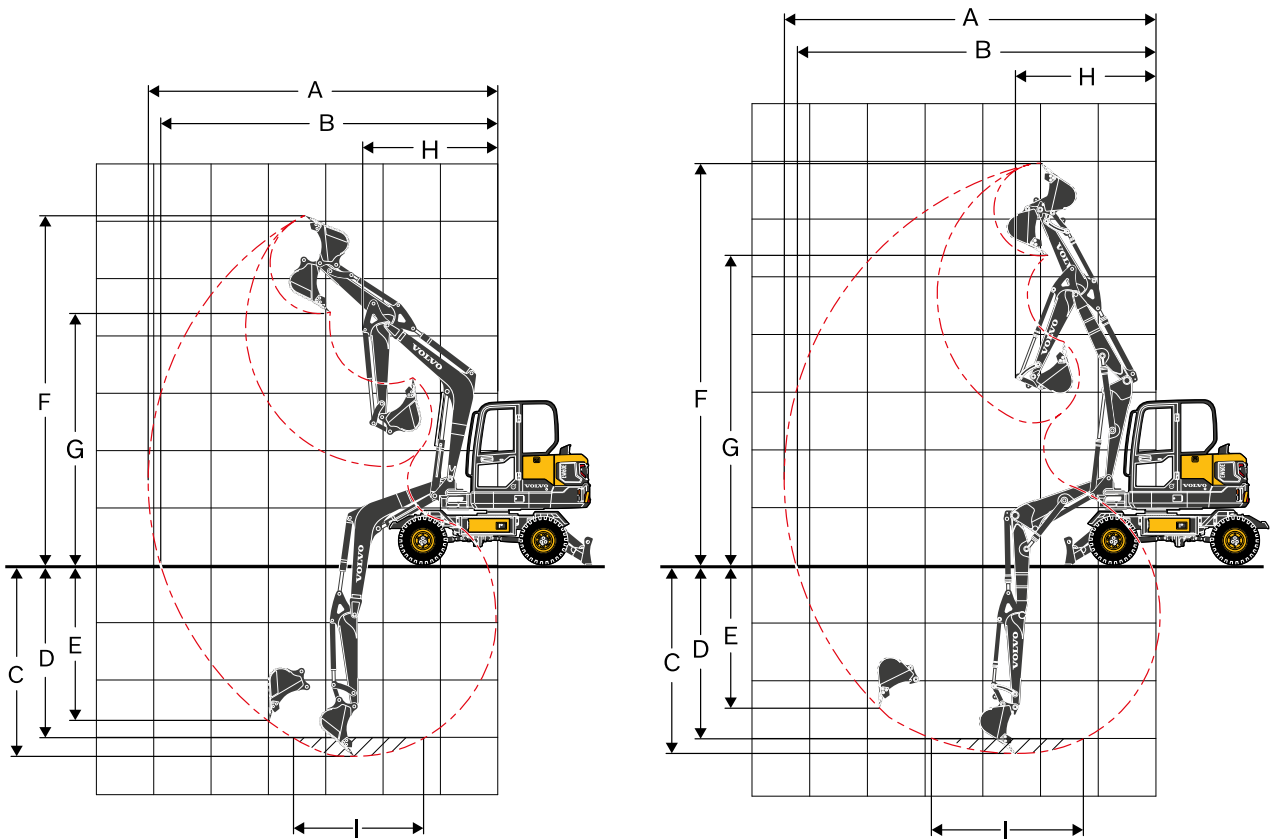
DIMENSIONS		Boom		Arm		
		m	2.9	3.24	1.6	1.9
A	Length	mm	3 008	3 362	2 102	2 402
B	Height	mm	1 169	865	488	497
	Width	mm	336	532	300	300
	Weight	kg	352.4	489	206	181

DIMENSIONS		STD Dozer blade		Wide Dozer blade	
		mm		mm	
A	Height	mm	465	465	
	Width	mm	1 930	2 200	
B	Lifting height	mm	440	440	
C	Digging depth	mm	140	140	

Boom * Includes cylinder, piping and pin, excludes boom cyl. Pin

Arm * Includes cylinder, linkage and pin

Specifications



WORKING RANGES

Description	Unit				
Boom	m	2.9		3.24	
Arm	m	1.6	1.9	1.6	1.9
A Max. digging reach	mm	6 024	6 313	6 432	6 729
B Max. digging reach on ground	mm	5 810	6 111	6 239	6 546
C Max. digging depth	mm	3 292	3 592	3 304	3 603
D Max. digging depth (l=2 440 mm level)	mm	2 905	3 188	3 119	3 432
E Max. vertical wall digging depth	mm	2 368	2 642	2 786	3 028
F Max. cutting height	mm	6 007	6 210	6 924	7 201
G Max. dumping height	mm	4 443	4 647	5 320	5 597
H Min. front swing radius	mm	2 350	2 367	2 423	2 550

DIGGING FORCES WITH DIRECT FIT BUCKET

			1.6 m Arm	1.9 m Arm
Breakout force (bucket)	SAE J1179	kN	37.7	37.7
	ISO 6015	kN	43.3	43.3
Tearout force (arm)	SAE J1179	kN	28.2	25.0
	ISO 6015	kN	28.8	25.4
Rotation angle, bucket		°	196	

LIFTING CAPACITY EW60E

Lifting capacity at the arm end without bucket.

For lifting capacity including bucket. Simply subtract actual weight of the direct fit bucket or the bucket with quick coupler from the following values.

	Lifting Point	1.0 m		2.0 m		3.0 m		4.0 m		5.0 m		Max. reach		m
		Along UC	Across UC	Along UC	Across UC	Along UC	Across UC	Along UC	Across UC	Along UC	Across UC	Along UC	Across UC	
		Boom: 2.9 m Arm: 1.6 m Shoe: Single wheel CWT: 350 kg Machine: Front direction Dozer blade: Down	5.0 m kg											
	4.0 m kg							*1 520	1 170			*1 270	980	4.4
	3.0 m kg							*1 610	1 150			*1 190	810	4.9
	2.0 m kg					*2 540	1 690	*1 840	1 100	*1 530	780	*1 200	740	5.2
	1.0 m kg					*3 030	1 580	*2 040	1 050	*1 570	770	*1 280	720	5.2
	0.0 m kg			*2 110	*2 110	*3 040	1 540	*2 070	1 030			*1 470	760	4.9
	-1.0 m kg	*3 000	*3 000	*4 060	3 020	*2 650	1 540	*1 800	1 020			*1 420	890	4.5
	-2.0 m kg			*2 450	*2 450	*1 680	1 590					*1 180	*1 180	3.5
Boom: 2.9 m Arm: 1.6 m Shoe: Single wheel CWT: 350 kg Machine: Front direction Dozer blade: Up	5.0 m kg											*1 520	1 380	3.4
	4.0 m kg							*1 520	1 100			*1 270	920	4.4
	3.0 m kg							*1 610	1 080			*1 190	760	4.9
	2.0 m kg					*2 540	1 580	*1 840	1 030	1 410	740	*1 200	690	5.2
	1.0 m kg					*3 030	1 480	1 950	990	1 390	720	*1 280	680	5.2
	0.0 m kg			*2 110	*2 110	*3 040	1 440	1 920	960			1 390	710	4.9
	-1.0 m kg	*3 000	*3 000	*4 060	2 770	*2 650	1 440	*1 800	960			*1 420	830	4.5
	-2.0 m kg			*2 450	*2 450	*1 680	1 480					*1 180	1 180	3.5
Boom: 2.9 m Arm: 1.6 m Shoe: Single wheel CWT: 350 kg Machine: Rear direction Dozer blade: Down	5.0 m kg											*1 520	1 470	3.4
	4.0 m kg							*1 520	1 170			*1 270	980	4.4
	3.0 m kg							*1 610	1 150			*1 190	810	4.9
	2.0 m kg					*2 540	1 690	*1 840	1 100	*1 530	780	*1 200	740	5.2
	1.0 m kg					*3 030	1 580	*2 040	1 050	*1 570	770	*1 280	720	5.2
	0.0 m kg			*2 110	*2 110	*3 040	1 540	*2 070	1 030			*1 470	760	4.9
	-1.0 m kg	*3 000	*3 000	*4 060	3 020	*2 650	1 540	*1 800	1 020			*1 420	890	4.5
	-2.0 m kg			*2 450	*2 450	*1 680	1 590					*1 180	*1 180	3.5
Boom: 2.9 m Arm: 1.6 m Shoe: Single wheel CWT: 350 kg Machine: Rear direction Dozer blade: Up	5.0 m kg											1 370	1 380	3.4
	4.0 m kg							1 100	1 100			920	920	4.4
	3.0 m kg							1 080	1 080			760	760	4.9
	2.0 m kg					1 570	1 580	1 030	1 030	740	740	690	690	5.2
	1.0 m kg					1 470	1 480	990	990	720	720	680	680	5.2
	0.0 m kg			*2 110	*2 110	1 430	1 440	960	960			720	710	4.9
	-1.0 m kg	*3 000	*3 000	2 740	2 770	1 430	1 440	960	960			830	830	4.5
	-2.0 m kg			*2 450	*2 450	1 470	1 480					1 180	1 180	3.5
Boom: 2.9 m Arm: 1.9 m Shoe: Single wheel CWT: 350 kg Machine: Front direction Dozer blade: Down	5.0 m kg											*1 200	*1 200	3.9
	4.0 m kg							*1 350	1 180			*1 030	870	4.8
	3.0 m kg							*1 470	1 150	*1 380	800	*970	730	5.3
	2.0 m kg					*2 300	1 710	*1 720	1 100	*1 450	780	*980	670	5.5
	1.0 m kg					*2 890	1 580	*1 970	1 050	*1 530	750	*1 040	660	5.5
	0.0 m kg	*1 330	*1 330	*2 060	*2 060	*3 050	1 520	*2 060	1 010	*1 520	740	*1 170	690	5.3
	-1.0 m kg	*2 520	*2 520	*3 610	2 950	*2 790	1 510	*1 900	1 000			*1 340	780	4.8
	-2.0 m kg	*4 040	*4 040	*3 130	3 010	*2 040	1 540					*1 200	1 040	3.9
Boom: 2.9 m Arm: 1.9 m Shoe: Single wheel CWT: 350 kg Machine: Front direction Dozer blade: Up	5.0 m kg											*1 200	1 130	3.9
	4.0 m kg							*1 350	1 110			*1 030	820	4.8
	3.0 m kg							*1 470	1 090	1 370	750	*970	690	5.3
	2.0 m kg					*2 300	1 600	*1 720	1 030	1 350	730	*980	630	5.5
	1.0 m kg					*2 890	1 480	1 870	980	1 320	710	*1 040	610	5.5
	0.0 m kg	*1 330	*1 330	*2 060	*2 060	2 950	1 420	1 830	940	1 300	690	*1 170	640	5.3
	-1.0 m kg	*2 520	*2 520	*3 610	2 710	*2 790	1 410	1 810	930			*1 340	730	4.8
	-2.0 m kg	*4 040	*4 040	*3 130	2 770	*2 040	1 430					*1 200	970	3.9
Boom: 2.9 m Arm: 1.9 m Shoe: Single wheel CWT: 350 kg Machine: Rear direction Dozer blade: Down	5.0 m kg											*1 200	*1 200	3.9
	4.0 m kg							*1 350	1 180			*1 030	870	4.8
	3.0 m kg							*1 470	1 150	*1 380	800	*970	730	5.3
	2.0 m kg					*2 300	1 710	*1 720	1 100	*1 450	780	*980	670	5.5
	1.0 m kg					*2 890	1 580	*1 970	1 050	*1 530	750	*1 040	660	5.5
	0.0 m kg	*1 330	*1 330	*2 060	*2 060	*3 050	1 520	*2 060	1 010	*1 520	740	*1 170	690	5.3
	-1.0 m kg	*2 520	*2 520	*3 610	2 950	*2 790	1 510	*1 900	1 000			*1 340	780	4.8
	-2.0 m kg	*4 040	*4 040	*3 130	3 010	*2 040	1 540					*1 200	1 040	3.9
Boom: 2.9 m Arm: 1.9 m Shoe: Single wheel CWT: 350 kg Machine: Rear direction Dozer blade: Up	5.0 m kg											*1 200	1 130	3.9
	4.0 m kg							*1 350	1 110			*1 030	820	4.8
	3.0 m kg							*1 470	1 090	1 370	750	*970	690	5.3
	2.0 m kg					*2 300	1 600	*1 720	1 030	1 350	730	*980	630	5.5
	1.0 m kg					*2 890	1 480	1 870	980	1 320	710	*1 040	610	5.5
	0.0 m kg	*1 330	*1 330	*2 060	*2 060	2 950	1 420	1 830	940	1 300	690	*1 170	640	5.3
	-1.0 m kg	*2 520	*2 520	*3 610	2 710	*2 790	1 410	1 810	930			*1 340	730	4.8
	-2.0 m kg	*4 040	*4 040	*3 130	2 770	*2 040	1 430					*1 200	970	3.9

Notes: 1. The above loads are in compliance with SAE J1097 and ISO 10567 Hydraulic Excavator Lifting Capacity Standards. 2. Rated loads do not exceed 87% of hydraulic lifting capacity or 75% of tipping load. 3. Rated loads marked with an asterisk (*) are limited by hydraulic capacity rather than tipping load.

Specifications

LIFTING CAPACITY EW60E

Lifting capacity at the arm end without bucket.

For lifting capacity including bucket. Simply subtract actual weight of the direct fit bucket or the bucket with quick coupler from the following values.

	Lifting Point	1.0 m		2.0 m		3.0 m		4.0 m		5.0 m		Max. reach		m			
		Along UC	Across UC	Along UC	Across UC	Along UC	Across UC	Along UC	Across UC	Along UC	Across UC	Along UC	Across UC				
Boom : 2.9m Arm : 1.6m GP Shoe : Twin wheel CWT : 350 kg Machine: Front direction Dozerblade: Down	5.0 m	kg													*1 520	*1 520	3.4
	4.0 m	kg							*1 520	1 440					*1 270	1 220	4.4
	3.0 m	kg							*1 610	1 420					*1 190	1 010	4.9
	2.0 m	kg						*2 540	2 110	*1 840	1 370	*1 530	980		*1 200	920	5.2
	1.0 m	kg						*3 030	2 000	*2 040	1 320	*1 570	960		*1 280	910	5.2
	0.0 m	kg			*2 110	*2 110	*3 040	1 960	*2 070	1 290					*1 470	960	5.0
	-1.0 m	kg	*3 000	*3 000	*4 060	3 950	*2 650	1 960	*1 800	1 290					*1 420	1 120	4.5
-2.0 m	kg			*2 450	*2 450	*1 680	*1 680							*1 180	*1 180	3.5	
Boom : 2.9m Arm : 1.6m GP Shoe : Twin wheel CWT : 350 kg Machine: Front direction Dozerblade: Up	5.0 m	kg													*1 520	*1 520	3.4
	4.0 m	kg							*1 520	1 270					*1 270	1 070	4.4
	3.0 m	kg							*1 610	1 250					*1 190	890	4.9
	2.0 m	kg						*2 540	1 830	*1 840	1 200	1 470	860		*1 200	810	5.2
	1.0 m	kg						*3 030	1 730	*2 030	1 150	1 450	840		*1 280	800	5.2
	0.0 m	kg			*2 110	*2 110	*3 040	1 690	2 000	1 120					1 450	840	5.0
	-1.0 m	kg	*3 000	*3 000	*4 060	3 280	*2 650	1 690	*1 800	1 120					*1 420	970	4.5
-2.0 m	kg			*2 450	*2 450	*1 680	*1 680							*1 180	*1 180	3.5	
Boom : 2.9m Arm : 1.6m GP Shoe : Twin wheel CWT : 350 kg Machine: Rear direction Dozerblade: Down	5.0 m	kg													*1 520	*1 520	3.4
	4.0 m	kg							*1 520	1 440					*1 270	1 220	4.4
	3.0 m	kg							*1 610	1 420					*1 190	1 010	4.9
	2.0 m	kg						*2 540	2 110	*1 840	1 370	*1 530	980		*1 200	920	5.2
	1.0 m	kg						*3 030	2 000	*2 040	1 320	*1 570	960		*1 280	910	5.2
	0.0 m	kg			*2 110	*2 110	*3 040	1 960	*2 070	1 290					*1 470	960	5.0
	-1.0 m	kg	*3 000	*3 000	*4 060	3 950	*2 650	1 960	*1 800	1 290					*1 420	1 120	4.5
-2.0 m	kg			*2 450	*2 450	*1 680	*1 680							*1 180	*1 180	3.5	
Boom : 2.9m Arm : 1.6m GP Shoe : Twin wheel CWT : 350 kg Machine: Rear direction Dozerblade: Up	5.0 m	kg													1 510	*1 520	3.4
	4.0 m	kg							1 220	1 270					1 030	1 070	4.4
	3.0 m	kg							1 190	1 250					850	890	4.9
	2.0 m	kg						1 740	1 830	1 150	1 200	830	860		780	810	5.2
	1.0 m	kg						1 640	1 730	1 100	1 150	810	840		760	800	5.2
	0.0 m	kg			*2 110	*2 110	1 600	1 690	1 080	1 120					810	840	5.0
	-1.0 m	kg	*3 000	*3 000	*3 050	3 280	1 600	1 690	1 070	1 120					930	970	4.5
-2.0 m	kg			*2 450	*2 450	1 640	*1 680							*1 180	*1 180	3.5	
Boom : 2.9m Arm : 1.9m GP Shoe : Twin wheel CWT : 350 kg Machine: Front direction Dozerblade: Down	5.0 m	kg													*1 200	*1 200	3.9
	4.0 m	kg							*1 350	*1 350					*1 030	*1 030	4.8
	3.0 m	kg							*1 470	1 420	*1 380	1 000			* 970	910	5.3
	2.0 m	kg						*2 300	2 130	*1 720	1 370	*1 450	980		* 980	840	5.5
	1.0 m	kg						*2 890	2 000	*1 970	1 310	*1 530	950		*1 040	830	5.5
	0.0 m	kg	*1 330	*1 330	*2 060	*2 060	*3 050	1 940	*2 060	1 280	*1 520	930			*1 170	870	5.3
	-1.0 m	kg	*2 520	*2 520	*3 610	*3 610	*2 790	1 930	*1 900	1 270					*1 340	990	4.8
-2.0 m	kg	*4 040	*4 040	*3 130	*3 130	*2 040	1 690							*1 200	*1 200	4.0	
Boom : 2.9m Arm : 1.9m GP Shoe : Twin wheel CWT : 350 kg Machine: Front direction Dozerblade: Up	5.0 m	kg													*1 200	*1 200	3.9
	4.0 m	kg							*1 350	1 280					*1 030	950	4.8
	3.0 m	kg							*1 470	1 250	*1 380	880			* 970	800	5.3
	2.0 m	kg						*2 300	1 850	*1 720	1 200	*1 450	860		* 980	740	5.5
	1.0 m	kg						*2 890	1 730	*1 970	1 150	1 440	830		*1 040	720	5.5
	0.0 m	kg	*1 330	*1 330	*2 060	*2 060	*3 050	1 670	1 990	1 110	1 420	810			*1 170	760	5.3
	-1.0 m	kg	*2 520	*2 520	*3 610	3 220	*2 790	1 660	*1 900	1 100					*1 340	860	4.8
-2.0 m	kg	*4 040	*4 040	*3 130	*3 130	*2 040	1 690							*1 200	1 140	4.0	
Boom : 2.9m Arm : 1.9m GP Shoe : Twin wheel CWT : 350 kg Machine: Rear direction Dozerblade: Down	5.0 m	kg													*1 200	*1 200	3.9
	4.0 m	kg							*1 350	*1 350					*1 030	*1 030	4.8
	3.0 m	kg							*1 470	1 420	*1 380	1 000			* 970	910	5.3
	2.0 m	kg						*2 300	2 130	*1 720	1 370	*1 450	980		* 980	840	5.5
	1.0 m	kg						*2 890	2 000	*1 970	1 310	*1 530	950		*1 040	830	5.5
	0.0 m	kg	*1 330	*1 330	*2 060	*2 060	*3 050	1 940	*2 060	1 280	*1 520	930			*1 170	870	5.3
	-1.0 m	kg	*2 520	*2 520	*3 610	*3 610	*2 790	1 930	*1 900	1 270					*1 340	990	4.8
-2.0 m	kg	*4 040	*4 040	*3 130	*3 130	*2 040	1 690							*1 200	*1 200	4.0	
Boom : 2.9m Arm : 1.9m GP Shoe : Twin wheel CWT : 350 kg Machine: Rear direction Dozerblade: Up	5.0 m	kg													*1 200	*1 200	3.9
	4.0 m	kg							*1 350	1 280					*1 030	950	4.8
	3.0 m	kg							*1 470	1 250	*1 380	880			* 970	800	5.3
	2.0 m	kg						*2 300	1 850	*1 720	1 200	*1 450	860		* 980	740	5.5
	1.0 m	kg						*2 890	1 730	*1 970	1 150	1 530	830		*1 040	720	5.5
	0.0 m	kg	*1 330	*1 330	*2 060	*2 060	*3 050	1 670	1 990	1 110	1 510	810			*1 170	760	5.3
	-1.0 m	kg	*2 520	*2 520	*3 610	3 220	*2 790	1 660	*1 900	1 100					*1 340	860	4.8
-2.0 m	kg	*4 040	*4 040	*3 130	*3 130	*2 040	1 690							*1 200	1 140	4.0	

Notes: 1. The above loads are in compliance with SAE J1097 and ISO 10567 Hydraulic Excavator Lifting Capacity Standards. 2. Rated loads do not exceed 87% of hydraulic lifting capacity or 75% of tipping load. 3. Rated loads marked with an asterisk (*) are limited by hydraulic capacity rather than tipping load.

LIFTING CAPACITY EW60E

Lifting capacity at the arm end without bucket.

For lifting capacity including bucket. Simply subtract actual weight of the direct fit bucket or the bucket with quick coupler from the following values.

	Lifting Point	1.0 m		2.0 m		3.0 m		4.0 m		5.0 m		Max. reach			
		Along UC	Across UC	Along UC	Across UC	Along UC	Across UC	Along UC	Across UC	Along UC	Across UC	Along UC	Across UC	m	
Boom : 2.9m Arm : 1.6m GP Shoe : Twin wheel CWT : 500 kg Machine: Front direction Dozerblade: Down	5.0 m	kg											*1 520	*1 520	3.4
	4.0 m	kg						*1 520	*1 520				*1 270	*1 270	4.4
	3.0 m	kg						*1 610	1 500				*1 190	1 080	4.9
	2.0 m	kg					*2 540	2 240	*1 840	1 460	*1 530	1 040	*1 200	990	5.2
	1.0 m	kg					*3 030	2 130	*2 040	1 410	*1 570	1 030	*1 280	970	5.2
	0.0 m	kg			*2 110	*2 110	*3 040	2 090	*2 070	1 380			*1 470	1 020	5.0
	-1.0 m	kg	*3 000	*3 000	*4 060	*4 060	*2 650	2 090	*1 800	1 380			*1 420	1 190	4.5
	-2.0 m	kg			*2 450	*2 450	*1 680	*1 680					*1 180	*1 180	3.5
Boom : 2.9m Arm : 1.6m GP Shoe : Twin wheel CWT : 500 kg Machine: Front direction Dozerblade: Up	5.0 m	kg											*1 520	*1 520	3.4
	4.0 m	kg						*1 520	1 350				*1 270	*1 140	4.4
	3.0 m	kg						*1 610	1 330				*1 190	950	4.9
	2.0 m	kg					*2 540	1 950	*1 840	1 280	*1 530	920	*1 200	870	5.2
	1.0 m	kg					*3 030	1 850	*2 040	1 230	1 530	900	*1 280	850	5.2
	0.0 m	kg			*2 110	*2 110	*3 040	1 800	*2 070	1 210			*1 470	900	5.0
	-1.0 m	kg	*3 000	*3 000	*4 060	3 500	*2 650	1 810	*1 800	1 200			*1 420	1 040	4.5
	-2.0 m	kg			*2 450	*2 450	*1 680	*1 680					*1 180	*1 180	3.5
Boom : 2.9m Arm : 1.6m GP Shoe : Twin wheel CWT : 500 kg Machine: Rear direction Dozerblade: Down	5.0 m	kg											*1 520	*1 520	3.4
	4.0 m	kg						*1 520	*1 520				*1 270	*1 270	4.4
	3.0 m	kg						*1 610	1 500				*1 190	1 080	4.9
	2.0 m	kg					*2 540	2 240	*1 840	1 460	*1 530	1 040	*1 200	990	5.2
	1.0 m	kg					*3 030	2 130	*2 040	1 410	*1 570	1 030	*1 280	970	5.2
	0.0 m	kg			*2 110	*2 110	*3 040	2 090	*2 070	1 380			*1 470	1 020	5.0
	-1.0 m	kg	*3 000	*3 000	*4 060	*4 060	*2 650	2 090	*1 800	1 380			*1 420	1 190	4.5
	-2.0 m	kg			*2 450	*2 450	*1 680	*1 680					*1 180	*1 180	3.5
Boom : 2.9m Arm : 1.6m GP Shoe : Twin wheel CWT : 500 kg Machine: Rear direction Dozerblade: Up	5.0 m	kg											*1 520	*1 520	3.4
	4.0 m	kg						1 290	1 350				1 100	1 140	4.4
	3.0 m	kg						1 270	1 330				910	950	4.9
	2.0 m	kg					1 850	1 950	1 230	1 280	880	920	830	870	5.2
	1.0 m	kg					1 750	1 850	1 180	1 230	870	900	820	850	5.2
	0.0 m	kg			*2 110	*2 110	1 710	1 800	1 150	1 210			860	900	5.0
	-1.0 m	kg	*3 000	*3 000	3 250	3 500	1 710	1 810	1 150	1 200			1 000	1 040	4.5
	-2.0 m	kg			*2 450	*2 450	*1 680	*1 680					*1 180	*1 180	3.5
Boom : 2.9m Arm : 1.9m GP Shoe : Twin wheel CWT : 500 kg Machine: Front direction Dozerblade: Down	5.0 m	kg											*1 200	*1 200	3.9
	4.0 m	kg						*1 350	*1 350				*1 030	*1 030	4.8
	3.0 m	kg						*1 470	*1 470	*1 380	1 060		* 970	* 970	5.3
	2.0 m	kg					*2 300	2 260	*1 720	1 460	*1 450	1 040	* 980	900	5.5
	1.0 m	kg					*2 890	2 130	*1 970	1 400	*1 530	1 020	*1 040	890	5.5
	0.0 m	kg	*1 330	*1 330	*2 060	*2 060	*3 050	2 070	*2 060	1 360	*1 520	1 000	*1 170	930	5.3
	-1.0 m	kg	*2 520	*2 520	*3 610	*3 610	*2 790	2 060	*1 900	1 350			*1 340	1 060	4.8
	-2.0 m	kg	*4 040	*4 040	*3 130	*3 130	*2 040	*2 040					*1 200	*1 200	4.0
Boom : 2.9m Arm : 1.9m GP Shoe : Twin wheel CWT : 500 kg Machine: Front direction Dozerblade: Up	5.0 m	kg											*1 200	*1 200	3.9
	4.0 m	kg						*1 350	*1 350				*1 030	1 010	4.8
	3.0 m	kg						*1 470	1 330	*1 380	940		* 970	860	5.3
	2.0 m	kg					*2 300	1 970	*1 720	1 280	*1 450	920	* 980	790	5.5
	1.0 m	kg					*2 890	1 850	*1 970	1 230	1 520	890	*1 040	780	5.5
	0.0 m	kg	*1 330	*1 330	*2 060	*2 060	*3 050	1 790	*2 060	1 190	1 500	880	*1 170	820	5.3
	-1.0 m	kg	*2 520	*2 520	*3 610	3 440	*2 790	1 770	*1 900	1 180			*1 340	930	4.8
	-2.0 m	kg	*4 040	*4 040	*3 130	*3 130	*2 040	1 800					*1 200	*1 200	4.0
Boom : 2.9m Arm : 1.9m GP Shoe : Twin wheel CWT : 500 kg Machine: Rear direction Dozerblade: Down	5.0 m	kg											*1 200	*1 200	3.9
	4.0 m	kg						*1 350	*1 350				*1 030	*1 030	4.8
	3.0 m	kg						*1 470	*1 470	*1 380	1 060		* 970	* 970	5.3
	2.0 m	kg					*2 300	2 260	*1 720	1 460	*1 450	1 040	* 980	900	5.5
	1.0 m	kg					*2 890	2 130	*1 970	1 400	*1 530	1 020	*1 040	890	5.5
	0.0 m	kg	*1 330	*1 330	*2 060	*2 060	*3 050	2 070	*2 060	1 360	*1 520	1 000	*1 170	930	5.3
	-1.0 m	kg	*2 520	*2 520	*3 610	*3 610	*2 790	2 060	*1 900	1 350			*1 340	1 060	4.8
	-2.0 m	kg	*4 040	*4 040	*3 130	*3 130	*2 040	*2 040					*1 200	*1 200	4.0
Boom : 2.9m Arm : 1.9m GP Shoe : Twin wheel CWT : 500 kg Machine: Rear direction Dozerblade: Up	5.0 m	kg											*1 200	*1 200	3.9
	4.0 m	kg						*1 350	*1 350				*1 030	1 010	4.8
	3.0 m	kg						*1 470	1 330	*1 380	940		* 970	860	5.3
	2.0 m	kg					*2 300	1 970	*1 720	1 280	*1 450	920	* 980	790	5.5
	1.0 m	kg					*2 890	1 850	*1 970	1 230	*1 530	890	*1 040	780	5.5
	0.0 m	kg	*1 330	*1 330	*2 060	*2 060	*3 050	1 790	*2 060	1 190	*1 520	880	*1 170	820	5.3
	-1.0 m	kg	*2 520	*2 520	*3 610	3 440	*2 790	1 770	*1 900	1 180			*1 340	930	4.8
	-2.0 m	kg	*4 040	*4 040	*3 130	*3 130	*2 040	1 800					*1 200	*1 200	4.0

Notes: 1. The above loads are in compliance with SAE J1097 and ISO 10567 Hydraulic Excavator Lifting Capacity Standards. 2. Rated loads do not exceed 87% of hydraulic lifting capacity or 75% of tipping load. 3. Rated loads marked with an asterisk (*) are limited by hydraulic capacity rather than tipping load.

Specifications

LIFTING CAPACITY EW60E

Lifting capacity at the arm end without bucket.

For lifting capacity including bucket. Simply subtract actual weight of the direct fit bucket or the bucket with quick coupler from the following values.

	Lifting Point	1.0 m		2.0 m		3.0 m		4.0 m		5.0 m		Max. reach		m		
		Along UC	Across UC	Along UC	Across UC	Along UC	Across UC	Along UC	Across UC	Along UC	Across UC	Along UC	Across UC			
Boom: 3.24 m Arm: 1.6 m Shoe: Twin wheel CWT: 500 kg Machine: Front direction Dozer blade: Down	6.0 m	kg												*2 650	*2 650	2.4
	5.0 m	kg					*2 000	*2 000	*1 770	1 500				*1 560	1 440	4.1
	4.0 m	kg					*2 040	*2 040	*1 690	1 520				*1 310	1 070	4.9
	3.0 m	kg					*2 400	2 330	*1 800	1 480	*1 480	1 040		*1 210	910	5.4
	2.0 m	kg					*2 860	2 150	*1 950	1 410	*1 510	1 010		*1 180	840	5.6
	1.0 m	kg					*2 600	2 020	*2 000	1 340	*1 480	980		*1 160	830	5.6
	0.0 m	kg					*2 560	1 990	*1 850	1 310	*1 310	960		*1 020	870	5.4
	-1.0 m	kg			*2 020	*2 020	*1 920	*1 920	*1 440	1 310				*780	*780	4.9
	-2.0 m	kg					*930	*930	*520	*520				*320	*320	4.2
Boom: 3.24 m Arm: 1.6 m Shoe: Twin wheel CWT: 500 kg Machine: Front direction Dozer blade: Up	6.0 m	kg												*2 650	*2 650	2.4
	5.0 m	kg					*2 000	*2 000	*1 770	1 320				*1 560	1 260	4.1
	4.0 m	kg					*2 040	*2 040	*1 690	1 340				*1 310	930	4.9
	3.0 m	kg					*2 400	2 030	*1 800	1 290	*1 480	910		*1 210	800	5.4
	2.0 m	kg					*2 860	1 850	*1 950	1 230	*1 510	880		*1 180	740	5.6
	1.0 m	kg					*2 600	1 730	*2 000	1 160	*1 480	850		*1 160	720	5.6
	0.0 m	kg					*2 560	1 700	*1 850	1 130	*1 310	840		*1 020	760	5.4
	-1.0 m	kg			*2 020	*2 020	*1 920	1 710	*1 440	1 130				*780	*780	4.9
	-2.0 m	kg					*930	*930	*520	*520				*320	*320	4.2
Boom: 3.24 m Arm: 1.6 m Shoe: Twin wheel CWT: 500 kg Machine: Rear direction Dozer blade: Down	6.0 m	kg												*2 650	*2 650	2.4
	5.0 m	kg					*2 000	*2 000	*1 770	1 510				*1 560	1 450	4.1
	4.0 m	kg					*2 040	*2 040	*1 690	1 530				*1 310	1 070	4.9
	3.0 m	kg					*2 400	2 340	*1 800	1 480	*1 480	1 040		*1 210	920	5.4
	2.0 m	kg					*2 860	2 160	*1 950	1 410	*1 510	1 020		*1 180	850	5.6
	1.0 m	kg					*2 600	2 030	*2 000	1 350	*1 480	990		*1 160	840	5.6
	0.0 m	kg					*2 560	2 000	*1 850	1 320	*1 310	970		*1 020	880	5.4
	-1.0 m	kg			*2 020	*2 020	*1 920	*1 920	*1 440	1 320				*780	*780	4.9
	-2.0 m	kg					*930	*930	*520	*520				*320	*320	4.2
Boom: 3.24 m Arm: 1.6 m Shoe: Twin wheel CWT: 500 kg Machine: Rear direction Dozer blade: Up	6.0 m	kg												*2 650	*2 650	2.4
	5.0 m	kg					*2 000	*2 000	*1 770	1 320				*1 560	1 260	4.1
	4.0 m	kg					*2 040	*2 040	*1 690	1 340				*1 310	930	4.9
	3.0 m	kg					*2 400	2 030	*1 800	1 290	*1 480	910		*1 210	800	5.4
	2.0 m	kg					*2 860	1 850	*1 950	1 230	*1 510	880		*1 180	740	5.6
	1.0 m	kg					*2 600	1 730	*2 000	1 160	*1 480	850		*1 160	720	5.6
	0.0 m	kg					*2 560	1 700	*1 850	1 130	*1 310	840		*1 020	760	5.4
	-1.0 m	kg			*2 020	*2 020	*1 920	1 710	*1 440	1 130				*780	*780	4.9
	-2.0 m	kg					*930	*930	*520	*520				*320	*320	4.2
Boom: 3.24 m Arm: 1.9 m Shoe: Twin wheel CWT: 500 kg Machine: Front direction Dozer blade: Down	6.0 m	kg												*1 780	*1 780	3.2
	5.0 m	kg					*2 170	*2 170						*1 240	1 230	4.5
	4.0 m	kg							*1 600	1 540				*1 060	950	5.3
	3.0 m	kg					*2 010	*2 010	*1 710	1 490	*1 420	1 040		*990	830	5.7
	2.0 m	kg					*2 720	2 180	*1 880	1 410	*1 470	1 010		*980	770	5.9
	1.0 m	kg					*2 940	2 020	*1 980	1 340	*1 480	970		*1 000	760	5.9
	0.0 m	kg					*2 700	1 960	*1 890	1 290	*1 370	950		*950	790	5.7
	-1.0 m	kg			*2 320	*2 320	*2 150	1 960	*1 570	1 280	*1 040	950		*770	*770	5.3
	-2.0 m	kg			*1 290	*1 290	*1 270	*1 270	*890	*890				*420	*420	4.6
Boom: 3.24 m Arm: 1.9 m Shoe: Twin wheel CWT: 500 kg Machine: Front direction Dozer blade: Up	6.0 m	kg												*1 780	*1 780	3.2
	5.0 m	kg					*2 170	2 100						*1 240	1 080	4.5
	4.0 m	kg							*1 600	1 350				*1 060	830	5.3
	3.0 m	kg					*2 010	*2 010	*1 710	1 300	*1 420	910		*990	720	5.7
	2.0 m	kg					*2 720	1 880	*1 880	1 230	*1 470	880		*980	670	5.9
	1.0 m	kg					*2 940	1 730	*1 980	1 160	*1 480	840		*1 000	660	5.9
	0.0 m	kg					*2 700	1 670	*1 890	1 120	*1 370	820		*950	690	5.7
	-1.0 m	kg			*2 320	*2 320	*2 150	1 670	*1 570	1 110	*1 040	820		*770	*770	5.3
	-2.0 m	kg			*1 290	*1 290	*1 270	*1 270	*890	*890				*420	*420	4.6
Boom: 3.24 m Arm: 1.9 m Shoe: Twin wheel CWT: 500 kg Machine: Rear direction Dozer blade: Down	6.0 m	kg												*1 780	*1 780	3.2
	5.0 m	kg					*2 170	*2 170						*1 240	1 240	4.5
	4.0 m	kg							*1 580	1 550	*1 410	1 060		*1 060	960	5.3
	3.0 m	kg					*2 010	*2 010	*1 710	1 500	*1 420	1 050		*990	830	5.7
	2.0 m	kg					*2 720	2 190	*1 880	1 420	*1 470	1 010		*980	780	5.9
	1.0 m	kg					*2 940	2 030	*1 980	1 350	*1 480	980		*1 000	770	5.9
	0.0 m	kg					*2 700	1 970	*1 890	1 300	*1 370	950		*950	800	5.7
	-1.0 m	kg			*2 320	*2 320	*2 150	1 970	*1 570	1 290	*1 040	950		*770	*770	5.3
	-2.0 m	kg			*1 290	*1 290	*1 270	*1 270	*890	*890				*420	*420	4.6
Boom: 3.24 m Arm: 1.9 m Shoe: Twin wheel CWT: 500 kg Machine: Rear direction Dozer blade: Up	6.0 m	kg												*1 780	*1 780	3.2
	5.0 m	kg					*2 170	2 100						*1 240	1 080	4.5
	4.0 m	kg							*1 600	1 350				*1 060	830	5.3
	3.0 m	kg					*2 010	*2 010	*1 710	1 300	*1 420	910		*990	720	5.7
	2.0 m	kg					*2 720	1 880	*1 880	1 230	*1 470	880		*980	670	5.9
	1.0 m	kg					*2 940	1 730	*1 980	1 160	*1 480	840		*1 000	660	5.9
	0.0 m	kg					*2 700	1 670	*1 890	1 120	*1 370	820		*950	690	5.7
	-1.0 m	kg			*2 320	*2 320	*2 150	1 670	*1 570	1 110	*1 040	820		*770	*770	5.3
	-2.0 m	kg			*1 290	*1 290	*1 270	*1 270	*890	*890				*420	*420	4.6

Notes: 1. The above loads are in compliance with SAE J1097 and ISO 10567 Hydraulic Excavator Lifting Capacity Standards. 2. Rated loads do not exceed 87% of hydraulic lifting capacity or 75% of tipping load. 3. Rated loads marked with an asterisk (*) are limited by hydraulic capacity rather than tipping load.

Equipment

STANDARD EQUIPMENT

Engine

Low-emission Volvo Stage V diesel engine
Standard cooling system
Two-stage air filter
Fuel filter and water separator
Alternator, 90 A

Electric / Electronic control system

Safe engine start function
Automatic idling system
Halogen working lights;
Cab-mounted 1 (Front), Boom-mounted 1(LH)
Battery, 12 V / 100 Ah
Start motor, 12 V / 2.5 kW
Monitor and keypad
Master electrical disconnect switch
Travel alarm

Frame

Rearview mirror
Standard counterweight
Under cover
Fender
Dozer blade

Undercarriage

Single wheels: 12.00-16.5 12PR

Hydraulic system

Automatic two speed travel motors
Cylinder cushioning
Hydraulic fluid mineral 46
Travel motor (30km/h)

Cab and interior

Cab
Fabric operator seat with suspension
Seat belt, 2 inch retractable
Control joystick
Radio with MP3/AUX
Master key
Hour meter (non analog)

Digging equipment

Boom: 2.9m, Arm: 1.6m
Offset boom

Linkage

Service

Tool kit-daily maintenance

OPTIONAL EQUIPMENT

Engine

Water separator (With heater)
Engine auto shut down

OPTIONAL EQUIPMENT

Electric / Electronic control system

Fuel filler pump: 35 l/min, with automatic shut-off
Halogen extra working lights;
Cab-mounted 1 (Rear)
Boom-mounted 1(RH)
Caretrack
Rotating warning beacon
Electric pilot control change
Rearview Camera
Electric dozer blade switch on joystick
LED Light

Frame

Heavy counterweight
Wide fender
Wide dozer blade

Undercarriage

Twin wheels: 7.50-15.0 14PR

Hydraulic system

Hydraulic piping:
Breaker & shear (X1 Double Acting)
- Max. Flow: 60 l/min
- Max. Pressure: 22.5 Mpa

Slope & rotator (X3)
- Max. Flow: 22 l/min
- Max. Pressure: 14.7 Mpa

Thumb (with three way valve)
Grapple

Quick coupler
Hose rupture valve for boom, arm
Overload warning device
Hydraulic oil, ISO VG 32, 68
Hydraulic oil, biodegradable 46
Hydraulic oil, longlife oil 32, 46, 68
Travel motor (20km/h)

Cab and interior

Heater and air-conditioner
Fabric operator seat with suspension with heater
PVC operator seat with suspension
Control joystick, X3 proportional
Radio with MP3/AUX/Bluetooth
Mechanical hour meter
Cab mounted FOG (Falling Object Guard)
FOPS (Falling Object Protection Structure)
Sun screen, front/roof

Digging equipment

Fixed boom
2pcs boom: 3.24m
Long arm: 1.9m

Service

Tool kit, full scale
Spare parts

SELECTION OF VOLVO OPTIONAL EQUIPMENT

Electric dozer blade switch on joystick



Rear view camera



Two-piece boom



LED Light



Twin tires



Auto Air Conditioning



Not all products are available in all markets. Under our policy of continuous improvement, we reserve the right to change specifications and design without prior notice. The illustrations do not necessarily show the standard version of the machine.

V O L V O